

OMNIA







Common mechanical characteristics:

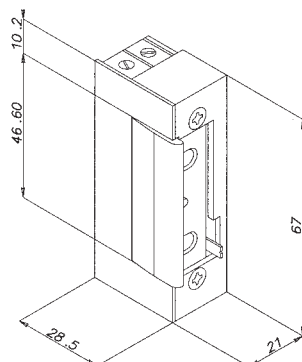
Body and latch block in anti-corrosive metal, symmetrical - reversible

Destruction resisting power: 350 Kg.

Horizontally adjustable latch block

Provided without striking plate (to be ordered separately – see pages 55, 56, 58, 59)**Use:** electric strike for aluminium or wood doors with latch or deadbolt locks

	Art.	Euro
	Electric strike Fail locked Without hold open function (opening limited to electrical impulse duration) Operating voltage : 8 -12 Vac – 1.000 mA 31012DC Operating voltage : 12 Vdc – 300 mA 31024DC Operating voltage : 24 Vdc – 170 mA	
	Electric strike Fail locked Without hold open function (opening limited to electrical impulse duration) With "open" release lever - Mechanical unlocking Operating voltage : 8 -12 Vac – 1.000 mA 31112DC Operating voltage : 12 Vdc – 300 mA 31124DC Operating voltage : 24 Vdc – 170 mA	
	Electric strike with hold open function Fail locked With piston hold open function (opening with electrical impulse) Relocking after door opening Operating voltage : 8 -12 Vac – 1.000 mA 31212DC Operating voltage : 12 Vdc – 300 mA 31224DC Operating voltage : 24 Vdc – 170 mA	
	Electric strike with hold open function Fail locked With piston hold open function (opening with electrical impulse) Relocking after door opening With "open" release lever - Mechanical unlocking Operating voltage : 8 -12 Vac – 1.000 mA 31312DC Operating voltage : 12 Vdc – 300 mA 31324DC Operating voltage : 24 Vdc – 170 mA	







Common mechanical characteristics:

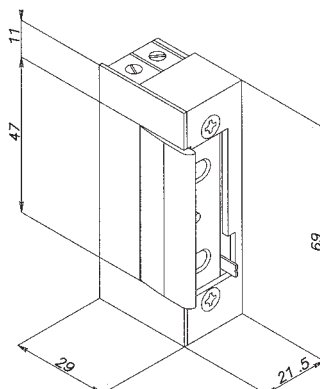
Body and latch block in anti-corrosive metal, symmetrical - reversible

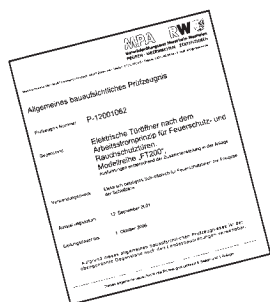
Destruction resisting power: 350 Kg.

Horizontally adjustable latch block

Without striking plate (to be ordered separately – see pages 55, 56, 58, 59)**Use:** electric strike for aluminium or wood doors with latch or deadbolt locks

	Art.	Euro
	<p>Low consumption electric strike for access control systems</p> <p>Fail locked Dimensions (mm): 69 x 29 x 21,5 (See bottom of page) Operating voltage : 12 Vac/dc Current absorption: 250 mA @ 12 V Internal anti-disturb varistor Without hold open function (opening limited to electrical impulse duration)</p> <p>Use: electric strike for aluminium or wood doors with latch or deadbolt locks Special <u>low current absorption</u> with anti-disturb varistor. Ideal for use with access control systems (i.e. : hotel badge readers).</p>	
<p>News</p> 	<p>Automatic Electric Strike with hold open function built in</p> <p>Fail locked Dimensions (mm): 67 x 28,5 x 21 Operating voltage : 8 -12 Vac - Current : 1,000 mA With built in hold open function without reload piston (opening with electrical impulse) Relocking after door opening</p>	
<p>News</p> 	<p>Automatic Electric Strike with hold open function built in</p> <p>Fail locked Dimensions (mm): 67 x 28,5 x 21 Operating voltage : 8 -12 Vac - Current : 1,000 mA With built in hold open function without reload piston (opening with electrical impulse) Relocking after door opening With "open" release lever - Mechanical unlocking</p>	
	<p>Fail unlocked Electric strike</p> <p>Fail unlocked Dimensions (mm): 67 x 28,5 x 21 Destruction resisting power: 350 Kg. Horizontally adjustable latch block Opening limited to the duration of lack of power</p> <p>31812 Operating voltage : 12 Vdc – Current : 350 mA 31824 Operating voltage : 24 Vdc – Current : 120 mA</p>	



**Common mechanical characteristics:**

Body and latch block in anti-corrosion steel, asymmetrical reversible

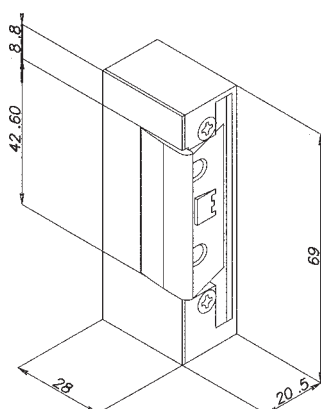
Destruction resisting power: 1,000 Kg.

Fire resistance: 90 minutes at a temperature of 1,000°C

Provided without striking plate (to be ordered separately – see pages 55, 56, 58, 59)**Use:** electric strike for fire doors

Note: This electric strike may be installed only if certified by the door manufacturer together with the fire door. A subsequent installation will invalidate the compliance of the door itself.

Art.		Euro
	Security electric strike Fail locked Operating voltage : 6 – 24 Vac/dc at intermittent use Operating voltage : 6 or 12 Vac/dc +/- 15% at continuous use Current absorption: from 300 mA to 1.1 A Opening limited to electrical impulse duration	
	Security electric strike Fail locked Operating voltage : 12 – 48 Vac/dc at intermittent use Operating voltage : 12 or 24 Vac/dc +/- 15% at continuous use Current absorption: from 150 mA to 600 mA Opening limited to electrical impulse duration	
	Security electric strike Fail locked Operating voltage : 6 – 24 Vac/dc at intermittent use Operating voltage : 6 or 12 Vac/dc +/- 15% at continuous use Current absorption: from 300 mA to 1.1 A Opening limited to electrical impulse duration Monitored latch position micro-switch C./N.O./N.C.	
	Security electric strike Fail locked Operating voltage : 12 – 48 Vac/dc at intermittent use Operating voltage : 12 or 24 Vac/dc +/- 15% at continuous use Current absorption: from 150 mA to 600 mA Opening limited to electrical impulse duration Monitored latch position micro-switch C./N.O./N.C.	



Common mechanical characteristics:

Body and latch block in anti-corrosive metal, symmetrical – reversible

Dimensions (mm) : 67 x 28,5 x 17

Destruction resisting power: 350 Kg.

Horizontally adjustable latch block

Without striking plate (to be ordered separately – see page 56, 57)**Use:** electric strike for PVC or wood doors with latch or deadbolt locks




	Art.		Euro
	33012	Security electric strike Operating voltage : 8 -12 Vac – 1.000 mA Fail locked Without hold open function (opening limited to electrical impulse duration)	
	33112	Security electric strike Operating voltage : 8 -12 Vac – 1.000 mA Fail locked Without hold open function (opening limited to electrical impulse duration) With "open" release lever - Mechanical unlocking	
	33212	Security electric strike Operating voltage : 8 -12 Vac – 1.000 mA Fail locked With piston hold open function (opening with electrical impulse) Relocking after door opening	
	33312	Security electric strike Operating voltage : 8 -12 Vac – 1.000 mA Fail locked With piston hold open function (opening with electrical impulse) Relocking after door opening With "open" release lever - Mechanical unlocking	
 News	33412	Automatic security electric strike Operating voltage : 8 -12 Vac – 1.000 mA Fail locked With internal hold open function (opening with electrical impulse) Relocking after door opening	
 News	33512	Automatic security electric strike Operating voltage : 8 -12 Vac – 1.000 mA Fail locked With internal hold open function (opening with electrical impulse) Relocking after door opening With "open" release lever - Mechanical unlocking	

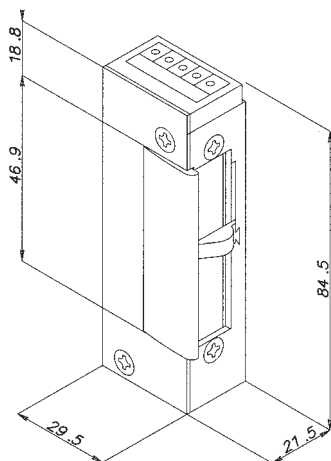
Common mechanical characteristics:

Body and latch block in anti-corrosive metal, symmetrical reversible

Destruction resisting power: 1,000 Kg.

Without striking plate (to be ordered separately – see pages 55, 56, 58)**Use:** special electric strike for security doors for us with an access control system or interlocking doors

	Art.	Euro
	Security electric strike Fail locked Operating voltage : 12 Vdc Current absorption: 300 mA Opening limited to electrical impulse duration Monitored latch position micro-switch C./N.O./N.C.	
	Security electric strike Fail locked Operating voltage : 24 Vdc Current absorption: 170 mA Opening limited to electrical impulse duration Monitored latch position micro-switch C./N.O./N.C.	
	Fail unlocked security electric strike Fail unlocked Operating voltage : 12 Vdc Current absorption: 300 mA Opening limited to the duration of lack of power Monitored latch position micro-switch C./N.O./N.C.	
	Fail unlocked security electric strike Fail unlocked Operating voltage : 24 Vdc Current absorption: 140 mA Opening limited to the duration of lack of power Monitored latch position micro-switch C./N.O./N.C.	



Common mechanical characteristics:

Body and latch block in anti-corrosive metal, symmetrical – reversible








Dimensions (mm) : 67 x 28,5 x 17

Destruction resisting power: 350 Kg.





Latch block horizontally adjustable - **Without striking plate (to be ordered separately – see page 56, 57)**

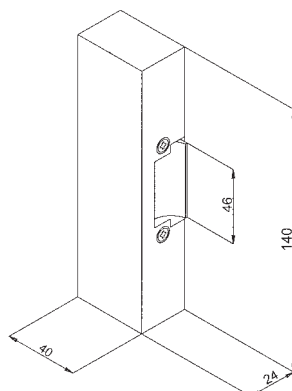
Use: electric strike for aluminium or wood doors with latch or deadbolt locks

Operation: In this radial electric strike the door latch bolt does not pivot out during opening but rather moves into the electric strike housing. This means that no cut needs to be made in the door post for the movement of the latch bolt during opening.

	Art.		Euro
	35012	Security electric strike Operating voltage : 8 -12 Vac – 1.000 mA Fail locked Without hold open function (opening limited to electrical impulse duration)	
	35112	Security electric strike Operating voltage : 8 -12 Vac – 1.000 mA Fail locked Without hold open function (opening limited to electrical impulse duration) With "open" release lever - Mechanical unlocking	
	35212	Security electric strike Operating voltage : 8 -12 Vac – 1.000 mA Fail locked With piston hold open function (opening with electrical impulse) Relocking after door opening	
	35312	Security electric strike Operating voltage : 8 -12 Vac – 1.000 mA Fail locked With piston hold open function (opening with electrical impulse) Relocking after door opening With "open" release lever - Mechanical unlocking	
 News	35412	Automatic security electric strike Operating voltage : 8 -12 Vac – 1.000 mA Fail locked With internal hold open function (opening with electrical impulse) Relocking after door opening	
 News	35512	Automatic security electric strike Operating voltage : 8 -12 Vac – 1.000 mA Fail locked With internal hold open function (opening with electrical impulse) Relocking after door opening With "open" release lever - Mechanical unlocking	
	35812	Fail unlocked electric strike Operating voltage : 12 Vdc – 270 mA Fail unlocked Body and latch block in metal, symmetrical - reversible Opening limited to the duration of lack of power	

Common mechanical characteristics:
 Body in black painted metal
 Latch block in metal, symmetrical - reversible
 Destruction resisting power: 1,000 Kg.
 Provided with n° 8 shims item 00360A

	Art.	Euro
	<p>Security electric strike for surface fixing Fail locked Opening limited to electrical impulse duration Operating voltage : 8/12 Vac – 500 mA</p> <p>36012A 36012AM Operating voltage : 8/12 Vac / 500 mA - Monitored latch position micro-switch C./N.O./N.C.</p> <p>36412A Operating voltage : 8-12 Vac / 500 mA with internal hold open function Note: Provided with n° 8 shims item 00360A</p>	
	<p>Security electric strike for surface fixing Fail locked Opening limited to electrical impulse duration Operating voltage : 12 Vdc / 200 mA</p> <p>36612A 36624A Operating voltage : 24 Vdc / 150 mA</p> <p>36612AM Operating voltage : 12 Vdc / 200 mA with Monitored latch position micro-switch C./N.O./N.C.</p> <p>36624AM Operating voltage : 24 Vdc / 150 mA with Monitored latch position micro-switch C./N.O./N.C. Note: Provided with n° 8 shims item 00360A</p>	
	<p>Fail unlocked electric strike for surface fixing Fail unlocked Operating voltage : 12 Vdc / 200 mA</p> <p>36812A 36824A Operating voltage : 24 Vdc / 150 mA</p> <p>36812AM Operating voltage : 12 Vdc / 200 mA with Monitored latch position micro-switch C./N.O./N.C.</p> <p>36824AM Operating voltage : 24 Vdc / 150 mA with Monitored latch position micro-switch C./N.O./N.C. Note: Provided with n° 8 shims item 00360A</p>	
	<p>00360A Shims for electric strike for surface fixing Plastic 2 mm. shims to compensate for height of the electric strike with the panic bar latch</p>	



Common mechanical characteristics:

Body and latch block in metal, asymmetrical (determine hand)

Dimensions (mm): 89 x 32 x 23

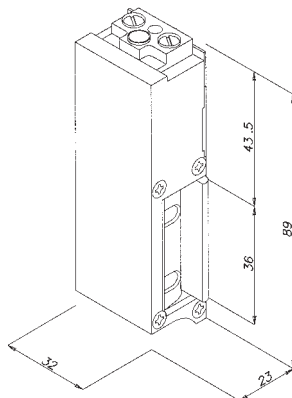
Destruction resisting power: 700 Kg.

Without striking plate (to be ordered separately – See page 57, 58)

Use: electric strikes for armoured doors with "double map" type latch or deadbolt locks



Art.	Security electric strike	Euro
37012.1A 37012.2A	<p>Fail locked Operating voltage : 12 Vac Current absorption: 1.000 mA Opening limited to electrical impulse duration</p> <p>Right hand Left hand</p>	
37612.1A 37612.2A	<p>12 Vdc – 200 mA power: Right hand Left hand</p>	
37624.1A 37624.2A	<p>24 Vdc – 150 mA power: Right hand Left hand</p>	
37412.1A 37412.2A 37512.1A 37512.2A	<p>Automatic security electric strike Fail locked Operating voltage : 12 Vac Current absorption: 1.000 mA <u>With internal hold open function</u> - opening with electrical impulse. Relocking after door opening.</p> <p>Right hand Left hand Right hand – With "open" release lever Left hand – With "open" release lever</p>	
37812.1A 37812.2A 37824.1A 37824.2A	<p>Fail unlocked security electric strike Blocked with power Opening limited to the duration of lack of power Operating voltage 12 Vdc – 200 mA power:</p> <p>Right hand Left hand</p> <p>Operating voltage 24 Vdc – 150 mA power: Right hand Left hand</p>	

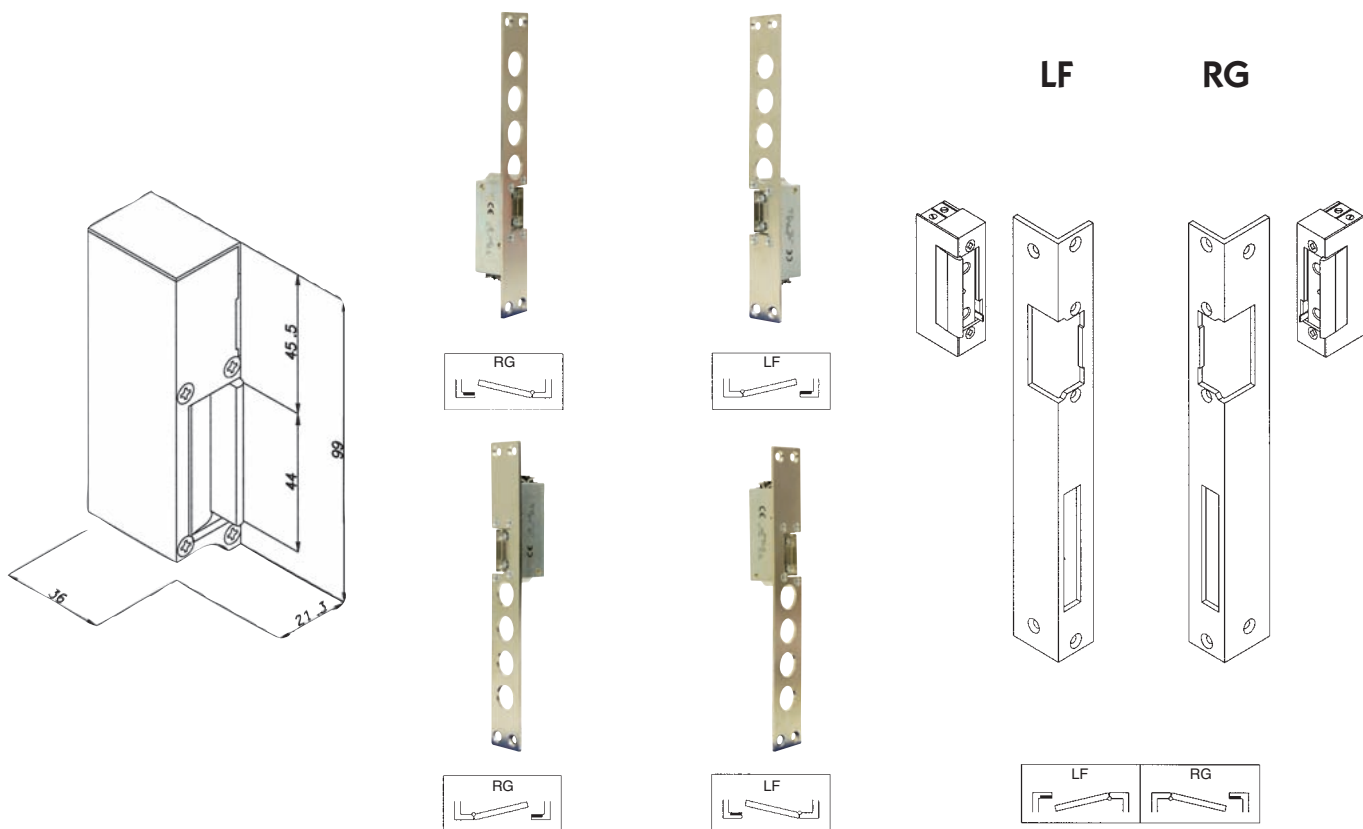





Common mechanical characteristics:
 Body and latch block in metal, asymmetrical (determine hand)
Dimensions (mm): 99 x 36 x 21,3
 Destruction resisting power: 1,000 Kg.
Without striking plate (to be ordered separately – See page 58)
Use: electric strike for latch and deadbolt locks applied on gates **exposed to precipitation**

Art.	Euro
Security electric strike	
Fail locked IP rating: IP56 (can operate on gates exposed to weather conditions) Without hold open function. Opening limited to electrical impulse duration	
38012.1	Right hand – 12 Vac – 500 mA Power
38012.2	Left hand – 12 Vac – 500 mA Power
Automatic with internal hold open function. Opening with electrical impulse. Relocking after door opening.	
38412.1	Right hand – 12 Vac – 500 mA Power
38412.2	Left hand – 12 Vac – 500 mA Power
On request:	
38612.1/2	Fail secure - 12 Vdc – 200 mA power:
38624.1/2	Fail secure - 24 Vdc – 150 mA power:
38812.1/2	Fail safe - 12 Vdc – 200 mA power:
38824.1/2	Fail safe - 24 Vdc – 150 mA power:








TABLE TO IDENTIFY THE HAND OF THE ELECTRIC STRIKE





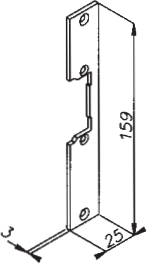
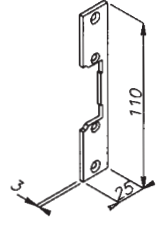
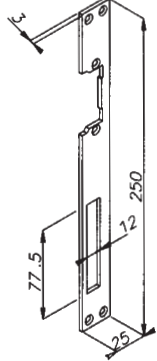
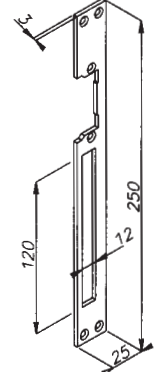
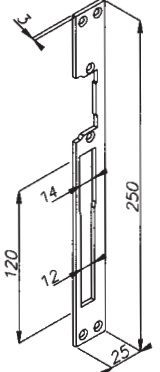
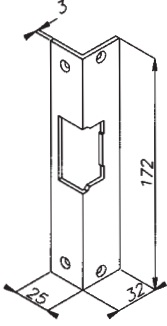
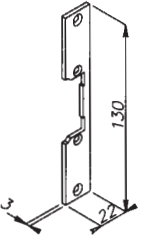
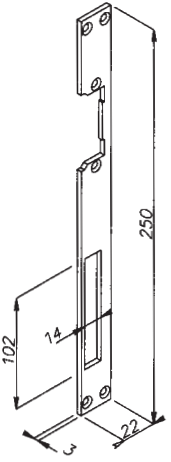
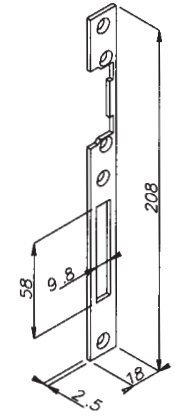
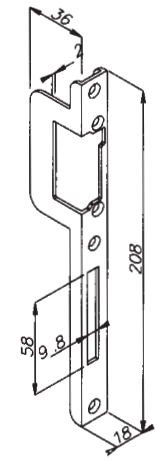
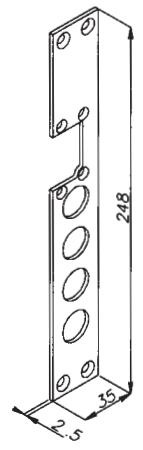
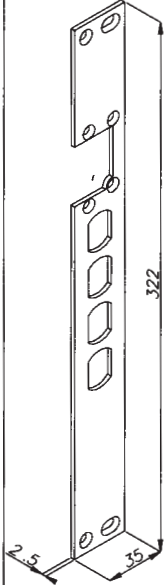
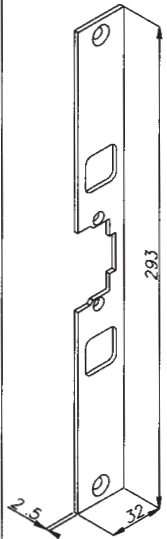
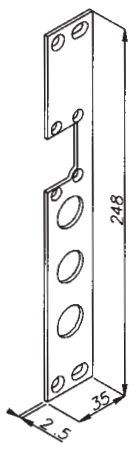
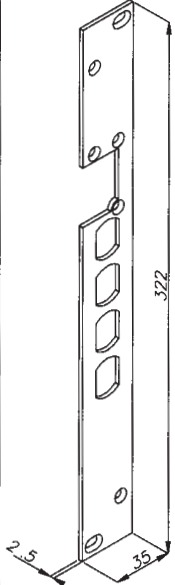
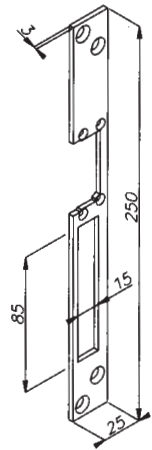
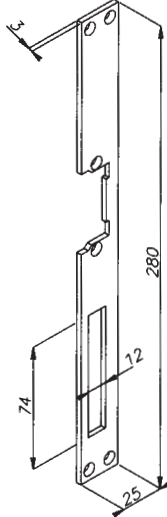
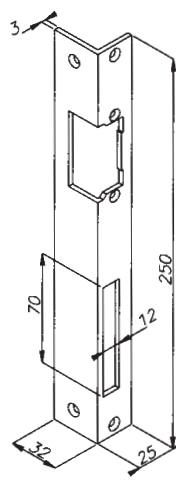
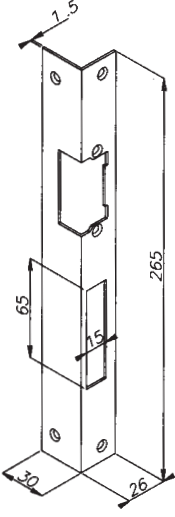
	Art.		Euro
	03010	<p>Short striking plate Asymmetrical for only latch locks In grey painted steel Dimensions (mm): 159 x 25 x 3 Reversible hand</p> <p>Use: for all electric strikes Omnia Micro series, Omnia Fire and Omnia 1.000 series for mortice fixing</p>	
	03010S	<p>Short striking plate Symmetrical for only latch locks In grey painted steel Dimensions (mm): 110 x 25 x 3 Reversible hand</p> <p>Use: for all electric strikes Omnia Micro series, Omnia Fire and Omnia 1.000 series for mortice fixing</p>	
	03030 03030GD 03030CRO	<p>Long striking plate For latch and deadbolt security locks. In steel Dimensions (mm): 250 x 25 x 3 Reversible hand</p> <p>In grey painted steel</p> <p>In gold painted steel</p> <p>In glazed chromium plated steel</p> <p>Use: for all electric strikes Omnia Micro series, Omnia Fire and Omnia 1.000 series for mortice fixing</p>	
	03031	<p>Long striking plate For latch and deadbolt security locks. In stainless steel Dimensions (mm): 250 x 25 x 3 Reversible hand</p> <p>Use: for all electric strikes Omnia Micro series, Omnia Fire and Omnia 1.000 series for mortice fixing</p>	
	03130	<p>Long striking plate For latch and deadbolt security locks, hole (mm) 102 x 12 for insertion in the swinging deadbolt. In grey painted steel Dimensions (mm): 250 x 25 x 3 Reversible hand</p> <p>Use: only for Omnia Micro series strikes</p>	

Art.		Euro
	<p>Long striking plate For latch and deadbolt security locks, hole (mm) 102 x 12 for insertion in the swinging deadbolt. In stainless steel Dimensions (mm): 250 x 25 x 3 Reversible hand Use: only for Omnia Micro series strikes</p>	
	<p>Long striking plate For latch and deadbolt security locks, tapered hole (mm) 102 x 12 for insertion in the swinging deadbolt. In stainless steel Dimensions (mm): 250 x 25 x 3 Reversible hand Use: only for Omnia Micro series strikes</p>	
	<p>Short angular striking plate Only for latch locks - Square edges In gold painted steel Dimensions (mm): 172 x 32 x 25 Reversible hand Square edges Round edges Use: for all electric strikes Omnia Micro series, Omnia Fire and Omnia 1.000 series for mortice fixing</p>	
	<p>Short striking plate for Omnia 16 - Radial Only for latch locks In grey painted steel Dimensions (mm): 130 x 22 x 3 Reversible hand Use: for all electric strikes Omnia 16 - Radial series for mortice fixing, mounted on wood or PVC door profiles</p>	
	<p>Long striking plate for Omnia 16 - Radial For latch and deadbolt security locks In grey painted steel Dimensions (mm): 250 x 22 x 3 Reversible hand Use: for all electric strikes Omnia 16 - Radial series for mortice fixing, mounted on wood or PVC door profiles</p>	

	Art.		Euro
	03331	<p>Long striking plate for Omnia 16 - Radial</p> <p>For latch and deadbolt security locks In galvanized steel Dimensions (mm): 208 x 18 x 3 Reversible hand</p> <p>Use: for all electric strikes Omnia 16 - Radial series for mortice fixing, mounted on wood door/window profiles</p>	
	03342.1 03342.2	<p>Long angular striking plate for Omnia 16 - Radial</p> <p>For latch and deadbolt security locks In yellow zinc passivated with short side flank Dimensions (mm): 208 x 36 x 18 Not reversible – Specify hand</p> <p>Right hand Left hand</p> <p>Use: for all electric strikes Omnia 16 - Radial series for mortice fixing, mounted on wood door profiles</p>	
	03370.1 03370.2	<p>Long striking plate for Omnia Blindo 700</p> <p>For security locks for armoured doors latch and 4 deadbolts pitch (mm) 28 In polished nickel plated steel Dimensions (mm): 248 x 35 x 2,5 Not reversible – Specify hand</p> <p>Right hand Left hand</p> <p>Use: for all electric strikes Omnia Blindo 700 series</p>	
	03371.1 03371.2	<p>Long striking plate for Omnia Blindo 700</p> <p>For security locks for armoured doors latch and 4 deadbolts pitch (mm) 28 (41.6 mm between latch and deadbolt) In polished nickel plated steel Dimensions (mm): 322 x 35 x 2,5 Not reversible – Specify hand</p> <p>Right hand Left hand</p> <p>Use: for all electric strikes Omnia Blindo 700 series</p>	
	03372	<p>Long striking plate for Omnia Micro</p> <p>For security locks for armoured doors latch and 2 deadbolts pitch (mm) 55.6 In polished nickel plated steel Dimensions (mm): 293 x 35 x 2,5 Reversible hand</p> <p>Use: for all electric strikes Omnia Micro series</p>	

Art.		Euro
 03374.1 03374.2	<p>Long striking plate for Omnia Blindo 700</p> <p>For security locks and 3 deadbolts pitch (mm) 28 In polished nickel plated steel Dimensions (mm): 248 x 35 x 2.5 Not reversible – Specify hand</p> <p>Right hand Left hand</p> <p>Use: for all electric strikes Omnia Blindo 700 series</p>	
 03375.1 03375.2	<p>Long striking plate for Omnia Blindo 700</p> <p>For security locks and 4 deadbolts pitch (mm) 28 (33.5 mm between latch and deadbolt) In polished nickel plated steel Dimensions (mm): 322 x 35 x 2,5 Not reversible – Specify hand</p> <p>Right hand Left hand</p> <p>Use: for all electric strikes Omnia Blindo 700 series</p>	
 03380	<p>Long striking plate for Omnia Blindo 1.000</p> <p>For latch and deadbolt security locks In stainless steel Dimensions (mm): 250 x 25 x 3 Reversible hand</p> <p>Use: for all electric strikes Omnia Blindo 1.000 series</p>	
 03410	<p>Short striking plate</p> <p>Only for latch locks In hardened anodized aluminium. Dimensions (mm): 159 x 25 x 3 Reversible hand</p> <p>Use: for all electric strikes Omnia Micro and Omnia 1.000 series for mortice fixing</p>	
 03411	<p>Short striking plate</p> <p>Only for latch locks In stainless steel Dimensions (mm): 159 x 25 x 3 Reversible hand</p> <p>Use: for all electric strikes Omnia Micro series, Omnia Fire and Omnia 1.000 series for mortice fixing</p>	
 03431	<p>Long striking plate</p> <p>For latch and deadbolt locks In stainless steel Dimensions (mm): 280 x 25.5 x 3 Reversible hand</p> <p>Use: for replacement of security type electric strikes eff-eff series 141, 331 and 341 with Omnia 1.000 series for mortice fixing</p>	

	Art.		Euro
	<p>03442.1 03442.2 03442.1BA 03442.2BA</p>	<p>Long angular striking plate For latch and deadbolt security locks In gold painted steel Dimensions (mm): 250 x 32 x 25 Not reversible – Specify hand</p> <p>Right hand - square edges (standard) Left hand - square edges (standard) Right hand - round edges (on request) Left hand - round edges (on request)</p> <p>Use: for all electric strikes Omnia Micro series, Omnia Fire and Omnia 1.000 series for mortice fixing</p>	
	<p>03445.1 03445.2 03445.1GD 03445.2GD</p>	<p>Long angular striking plate For latch and deadbolt security locks Dimensions (mm): 265 x 30 x 26 Not reversible – Specify hand</p> <p>Right hand - in polished nickel plated steel Left hand - in polished nickel plated steel Right hand - in polished brasssteel Left hand - in polished brasssteel</p> <p>Use: for all electric strikes Omnia Micro series, Omnia Fire and Omnia 1.000 series for mortice fixing</p>	
	<p>08710</p>	<p>Latch lock Body in grey painted steel Dimensions (mm): 30 x 15 x 15 Striking plate in grey painted steel Dimensions (mm): 55 x 20 x 3 Latch in nickel plated steel (mm) 12 x 10 mm extension Reversible hand</p> <p>Use: for all electric strikes Omnia series for mortice fixing</p>	
<p>News</p> 	<p>08711</p>	<p>Latch lock Body in grey painted steel Dimensions (mm): 43 x 64 x 18 Striking plate in stainless steel Dimensions (mm): 110 x 24 x 3 Latch in nickel plated steel height (mm) 32 - adjustable in extension from 10 to 19 mm. Reversible hand</p> <p>Use: for all electric strikes Omnia series for mortice fixing</p>	

 <p>Art. 03010 Art. 03410 Art. 03411</p>	 <p>Art. 03010S</p>	 <p>Art. 03030 Art. 03030 GD Art. 03031 Art. 03430</p>	 <p>Art. 03130 Art. 03131</p>	 <p>Art. 03132</p>	 <p>Art. 03162</p>	 <p>Art. 03310</p>
 <p>Art. 03330</p>	 <p>Art. 03331</p>	 <p>Art. 03342</p>	 <p>Art. 03370</p>	 <p>Art. 03371</p>	 <p>Art. 03372</p>	 <p>Art. 03374</p>
 <p>Art. 03375</p>	 <p>Art. 03380</p>	 <p>Art. 03431</p>	 <p>Art. 03442</p>	 <p>Art. 03445</p>		

Art.

Euro



54610

Electronic control unit

For management of one door

Box in beige ABS, dimensions (mm) 240 x 150 x 48

Operating voltage : 12/24 Vac/Vdc

Absorbed current : 60 mA in stand-by

Microprocessor command electronics

Ready for interlocking connection of 2 or more doors

Inputs with N.O. contacts for:

- Opening
- Blocking
- Emergency
- Alarm reset
- Deadbolt position
- Door position

Outputs:

- C./N.A./N.C relay for connection to Red/Green indicator lamps
- C./N.A alarm relay for Prolonged Opening of the door, Fault, Emergency, simultaneous Opening of 2 or more doors if interlocked

Possibility of connection in cascade to interlock several doors with each other (to be connected one for each door to be controlled)

Push buttons for monitoring and adjustment of the following times:

- Relocking from 0 - 5 seconds upon approach of the door
- Relocking from 0 - 60 seconds if the door is not opened
- Prolonged door opening alarm from 0 - 120 seconds

Use: electronic control unit for timed and/or interlocking management of security electromagnets series 131 and 137, solenoid lock series 206, 208, 209, 216, 218, 219, electric strikes series 346 and 348.



54710

Electronic control unit

For management of two doors

Box in beige ABS, dimensions (mm) 240 x 150 x 48

Operating voltage : 12/24 Vac/Vdc

Absorbed current : 80 mA in stand-by

Internal microprocessor control electronics

Same electrical and operational characteristics as Art. 54610 but for management of 2 doors in single or interlocking configuration

Use: electronic control unit for timed and/or interlocking management of security electromagnets series 131 and 137, solenoid lock series 206, 208, 209, 216, 218, 219, electric strikes series 346 and 348.

Art.

Euro

UNIVERSAL DESKTOP CONSOLE

Aluminium console box in black with silk screened polycarbonate panel
 Membrane button with touch effect
 Dimensions (mm): 195 x 160 x 50 (1 and 2 door versions)
 Dimensions (mm): 300 x 160 x 50 (3 and 4 door versions)
 Operating voltage : 12/24 Vac/Vdc
 Connections via screw terminal block
 N.O. inputs for command of door Opening from console
 N.O. inputs for command of door Opening from external push buttons or sensitive handles
 N.O. input for Reset command
 N.O. input for Block command
 N.O. / + 12 Vdc Input for alarm activation
 N.O./N.C. input with memory for management of the interlock with insertion of a Metal-Detector *
 N.O./N.C. input for presence of persons inside the interlock for automatic operation *

ON/OFF key switch for turning off system via external relay (i.e. item REL12V)
 Manual, Automatic, Emergency key switch
 Automatic operation selectable in 4 modes:
 mono-directional, bi-directional, first door open, from external push button / sensitive handle on the doors*

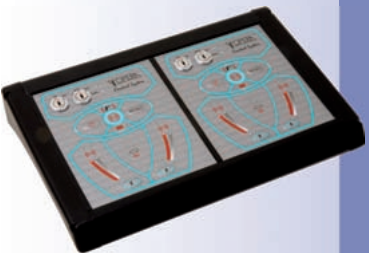
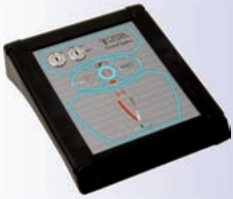
Optical signalling:
 Red / Green LED for Open / Closed lock status indication
 Red / Green LED for Open / Closed door status indication
 Alarm, Reset, Presence of Persons, Automatic, Emergency, Block, Metal-Detector, Power / Low Battery Alarm LEDs
 Internal buzzer (can be deactivated) for acoustic signalling of pressing of push buttons, for signalling of an active alarm and low battery

*** Functions enabled in 2 - 3 and 4 door consoles for interlocking operation**

- 54611A For 1 door.....
- 54612A For 2 doors.....
- 54613A For 3 doors.....
- 54614A For 4 doors.....

Use: universal console for door command

Can be connected to: solenoid lock Prima and Classica series, electronics Art. 54610, Art. 54710 combined with **Safety, Omnia 1.000, Quadra, Quadra Micro** series closing systems, with electronics Art. 54250 and 54255 with motorised electric lock **Maxima** series 25500



News



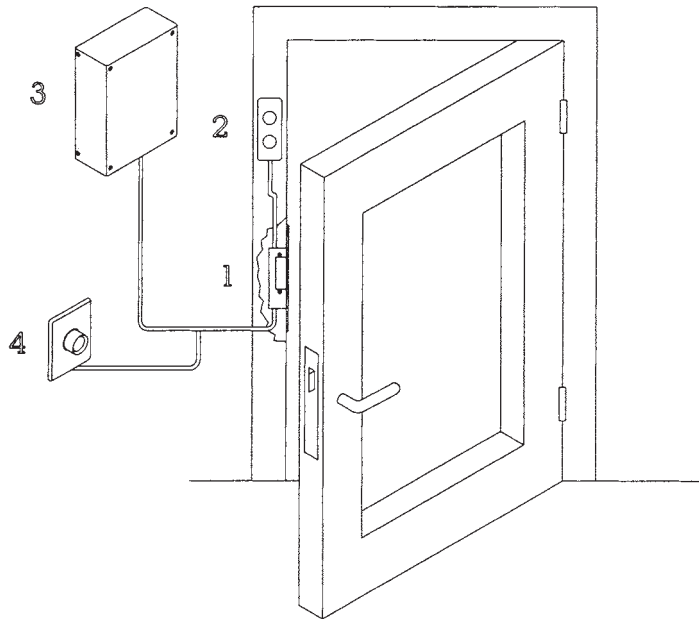
REL12V
 REL24V

SERVICE RELAY

Relay with polarized activation coil at 12 Vdc / 90 mA
 Double switching C./N.O./N.C. - Contacts rating 10 A @ 250 Vac
 Relay with polarized activation coil at 24 Vdc / 50 mA
 Double switching C./N.O./N.C. - Contacts rating 10 A @ 250 Vac

Use: can be used as relay for turning on and off the system via ON/OFF key switch on the console (or for other uses where required)

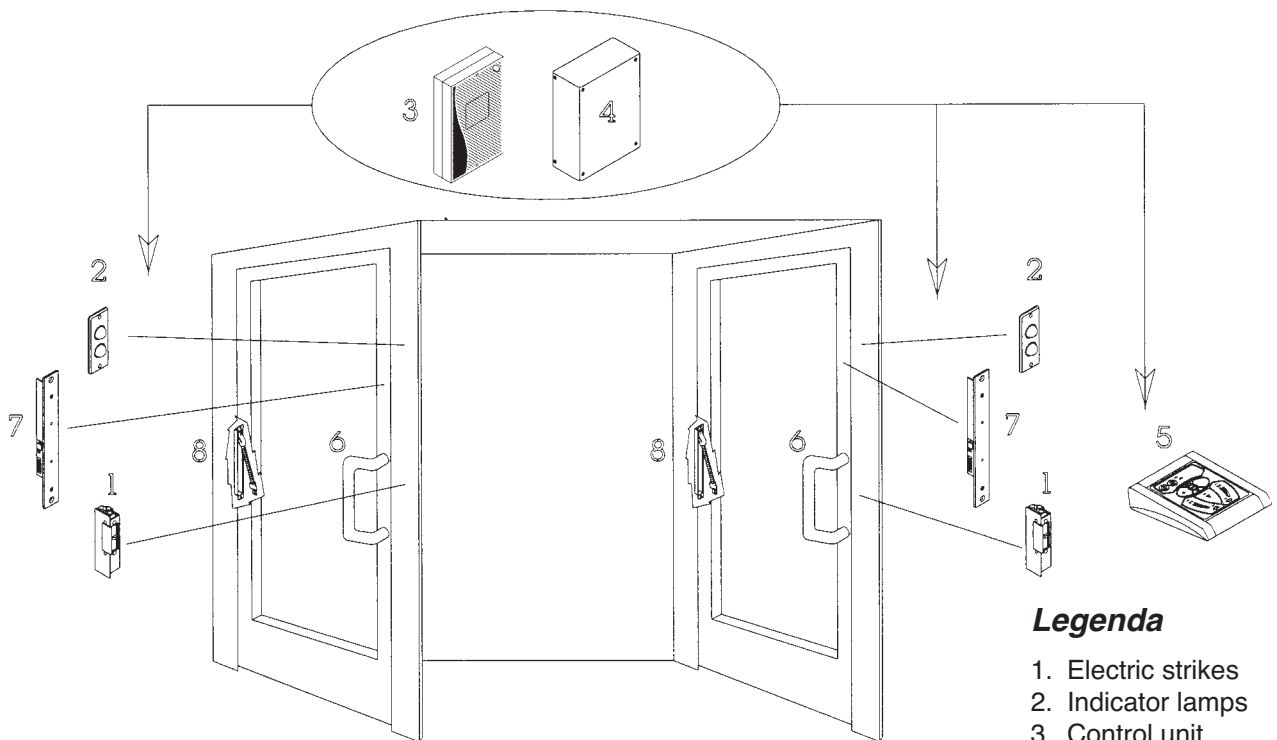
Locking system with Omnia 1.000 electric strike



Legenda

- 1. Security electric strike
- 2. Indicator lamp
- 3. Power supply
- 4. Remote push button
not supplied

Interlocking system with Omnia 1.000 electric strikes



Legenda

- 1. Electric strikes
- 2. Indicator lamps
- 3. Control unit
- 4. Power supply
- 5. Desktop console
- 6. Sensitive bars
- 7. Sensitive cards
- 8. Lead covers