

CARDS READER

ATM – Credit Cards

Swipe cards reader item code **55641** (reading track: 3° ISO for ATM only) or item code **55642** (reading track: 2° and 3° ISO for both credit cards and ATM) unable to manage door openings with codified credit cards and/or ATM.

Technical characteristics:

Power supply : 12 Vdc / 50 – 100 mA

Output : by relay that can be selected with a NO or NC contact by means of a jumper

Relay command time adjustment: can be selected from 2 up to 8 seconds by means of a jumper

Door sensor input with NO contact to activate/disactivate the reader

ABS Black color frontplate with Yellow and Green LED to indicate:

- | | |
|----------------|---|
| • Fixed red | Reader is functioning |
| • Flashing red | Card in not correctly inserted or reading mistake |
| • Green | Door unlock |

Authorized cards: ATM, Visa, Top Card, Prevident Card, Eurocard, Carta Sì, Mastercard, Eurocheque, Bancamericard, Bancoposta, American Express

Terminal board connection:

1 – NO input for opening by a knob from inside

2 – + 12 Vdc

3 – NO/NC relay contact (can be selected by means of a jumper) with dry contact to activate the lock

4 – Common relay with dry contact to activate the lock

5 – NO input for the door position sensor/microswitch (closed contact when the door is closed)

6 – - 12 Vdc / GND

Note: reader is activated only when the door contact is closed. If it is not used, it has to be jumpered (as supplied by the producer).

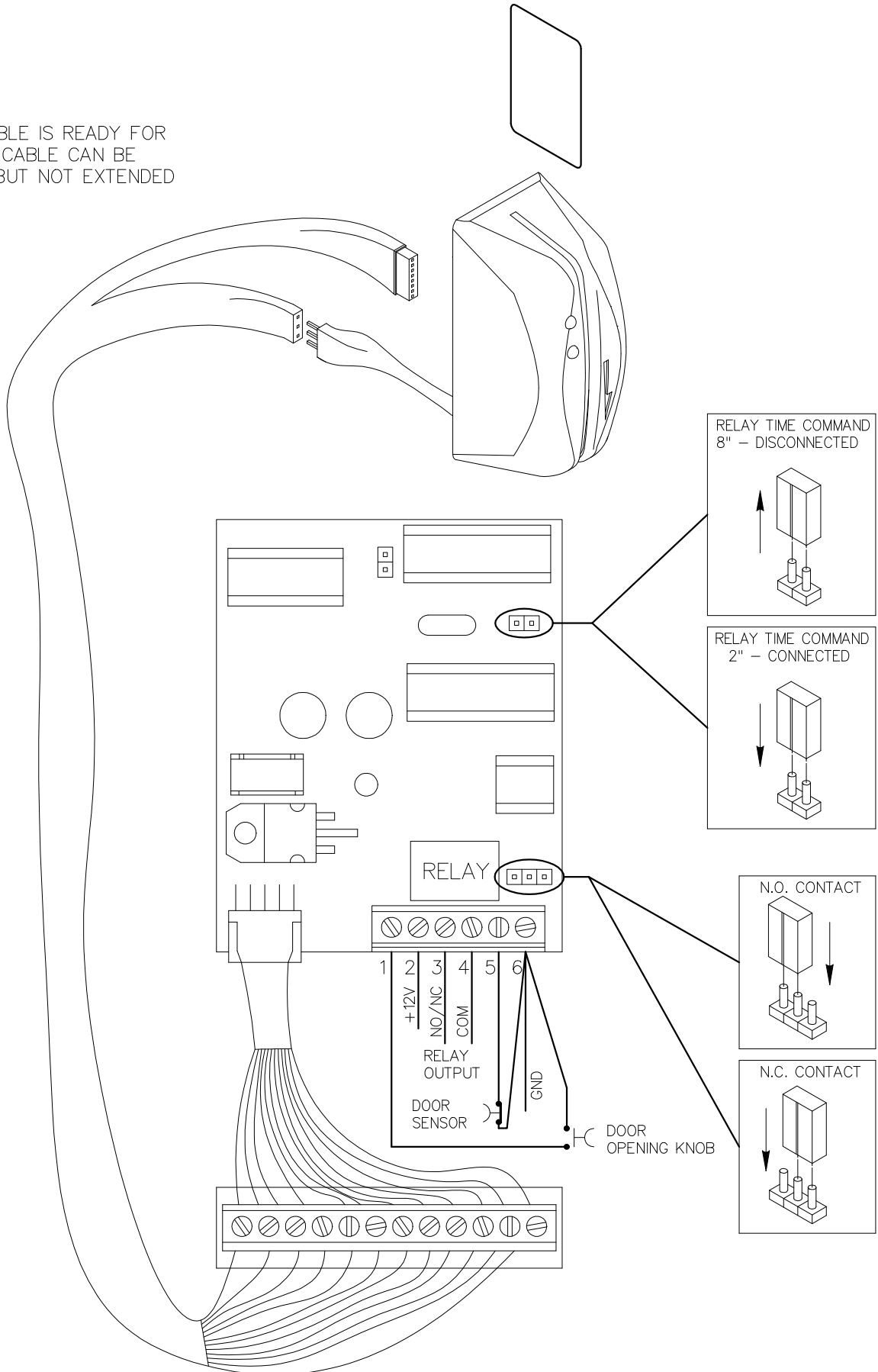
Fonctionning:

When the card swipes into the reader, it activates the door opening relay for the set time. Relay contact is dry and has to be connected to the power supply if the lock requires it (for ex electric strikes, electromagnet etc). If used with PRIMA RANGE solenoid bolts, the NO contact has to be dry.

N.B. : credit card reading is quicker then ATM reading.

ATTENTION

SUPPLIED CABLE IS READY FOR CONNECTION CABLE CAN BE SHORTENED BUT NOT EXTENDED

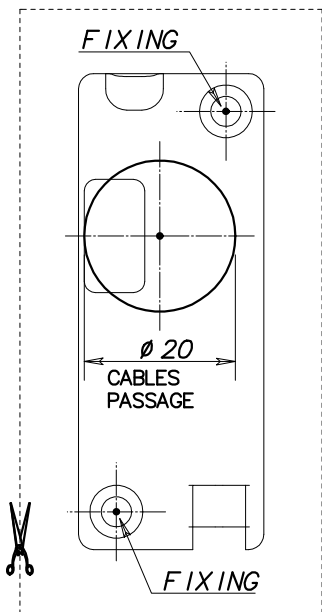


CONNECT A DOOR SENSOR/MICRO TO THE CIRCUIT, CLOSED ONCE THE DOOR IS CLOSED. READER IS ACTIVATED ONLY WHEN THE SENSOR/MICRO IS CLOSED. IF THE SENSOR IS NOT INSTALLED, JUMPER 5 AND 6.

MECHANICAL ASSEMBLING

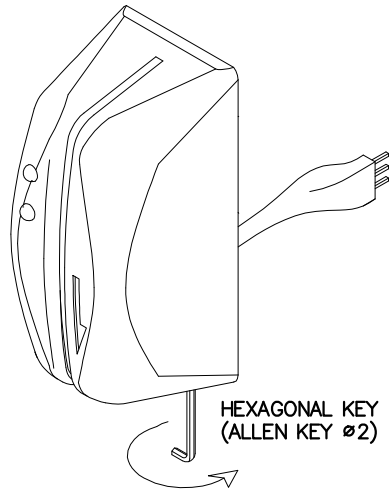
1

DRILLING TEMPLATE



DRILL THE FIXING HOLES ON THE PROFILE AND THE $\varnothing 20$ FOR THE CABLES PASSAGE. USE THE DRAWING AS DRILLING TEMPLATE

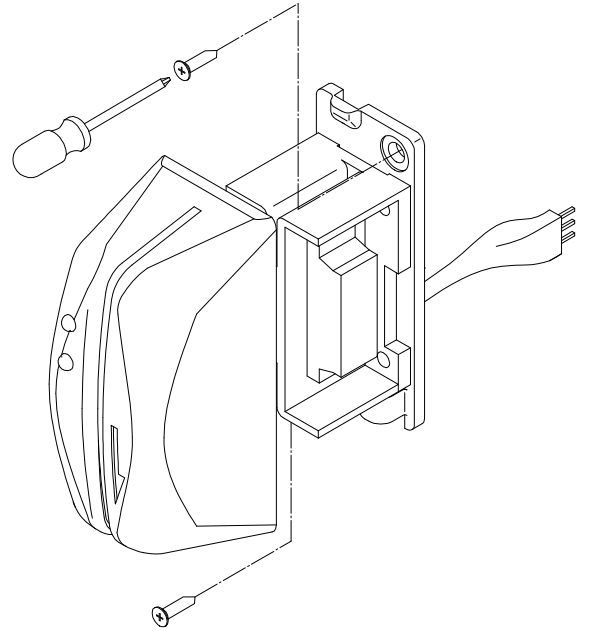
2



HEXAGONAL KEY (ALLEN KEY $\varnothing 2$)

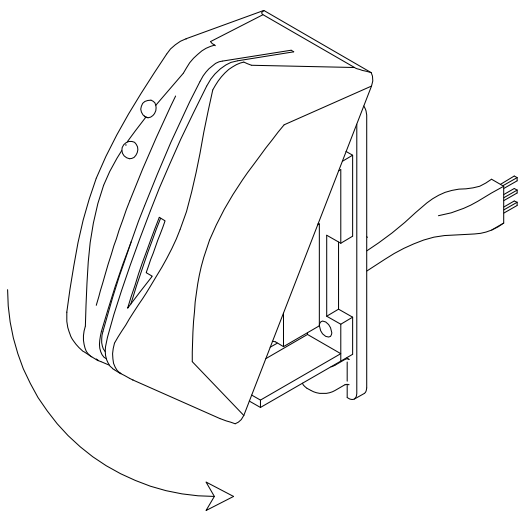
TURN THE ALLEN SCREW OF THE COVER IN THE ARROW DIRECTION UNTIL IT IS UNLOCKED

3



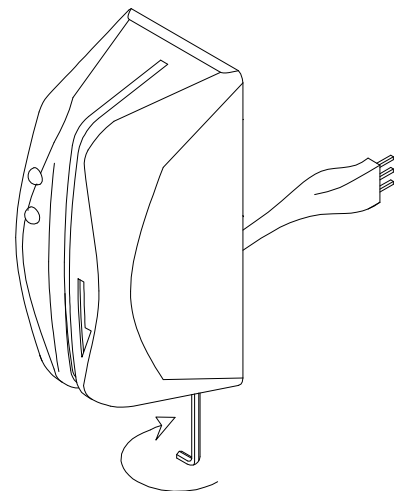
CONNECT THE CABLE TO THE CONNECTOR, THEN INSERT IT AND FIX THE BASE

4



LAY THE COVER (SEE THE DRAWING) ON THE METAL BASE THEN PUSH THE LOWER PART OF IT. COVER AND BASE INSERTED.

5



REPEAT OPERATION N°2 TURNING THE KEY IN THE OPPOSITE DIRECTION. ONCE THE ROTATION IS COMPLETE, CHECK THE FIXING OF THE COVER