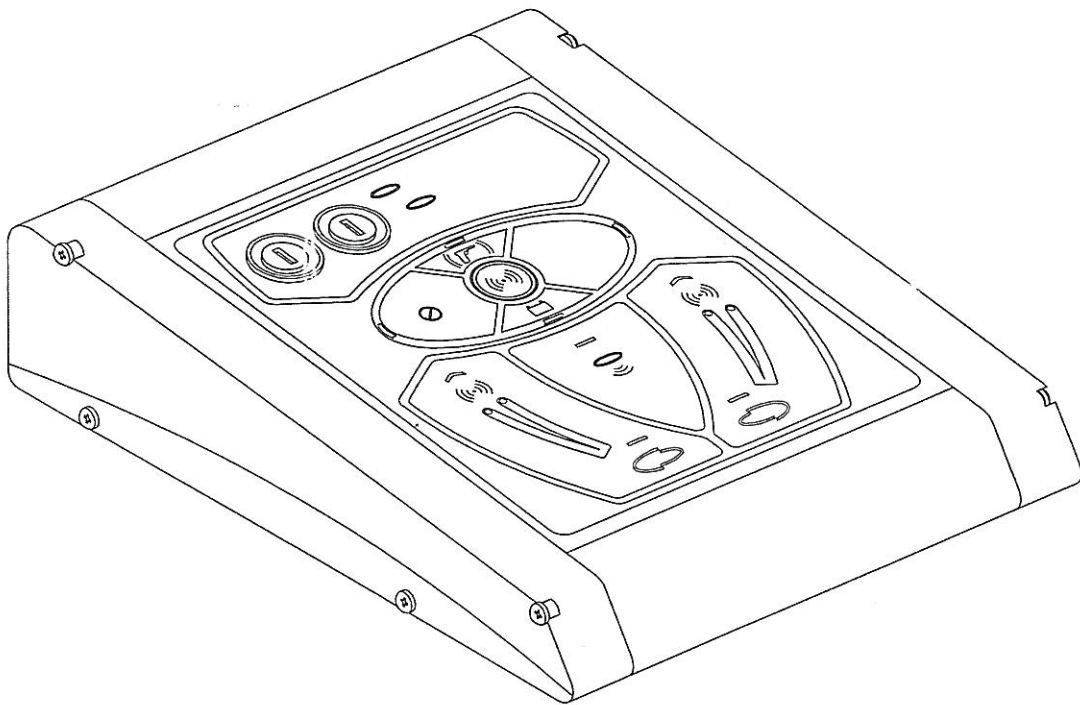


DESK TOP CONSOLE

Control System



User's manual

Description

The desk top consolle *Control System* series is:

- 54611 for 1 door
- 55612 for 2 doors

Technical characteristics

Power : 12-24 Vac/dc

Inputs

N.O. to activate the alarm

N.O. to activate the Metal-Detector *

N.O. or N.C. for person presence inside the box for the automatic function *

Output referred to ground (GND)

N.O. contact to open the doors

N.O. contact to Reset alarm

N.O. contact to block the doors open or closed

N.O. contact for Emergency (doors Open)

Key selectors

Selector On/Off (not connected)

Selector Manual, Automatic, Emergency

Automatic function selectable in n° 3 different use:

mono-direction , bi-direction, first door open *

Optical signals

Red/green Led to indicate the lock position opened or closed

Red/green Led to indicate the door position opened or closed

Red Led of Alarm, Reset , Person presence*, Automatic *, Emergency, Block, Metal-Detector *, Power supply / Low Battery

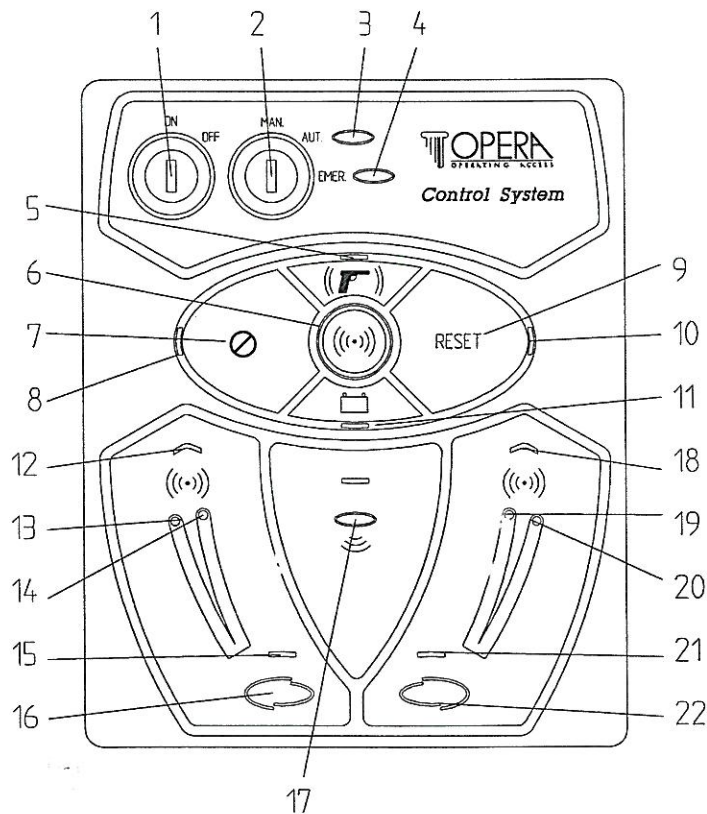
Buzzer inside for the alarm and Low battery acoustic signals

*** Functions in use only in the art. 54612 in interlocking system**

Tabella generale di collegamento

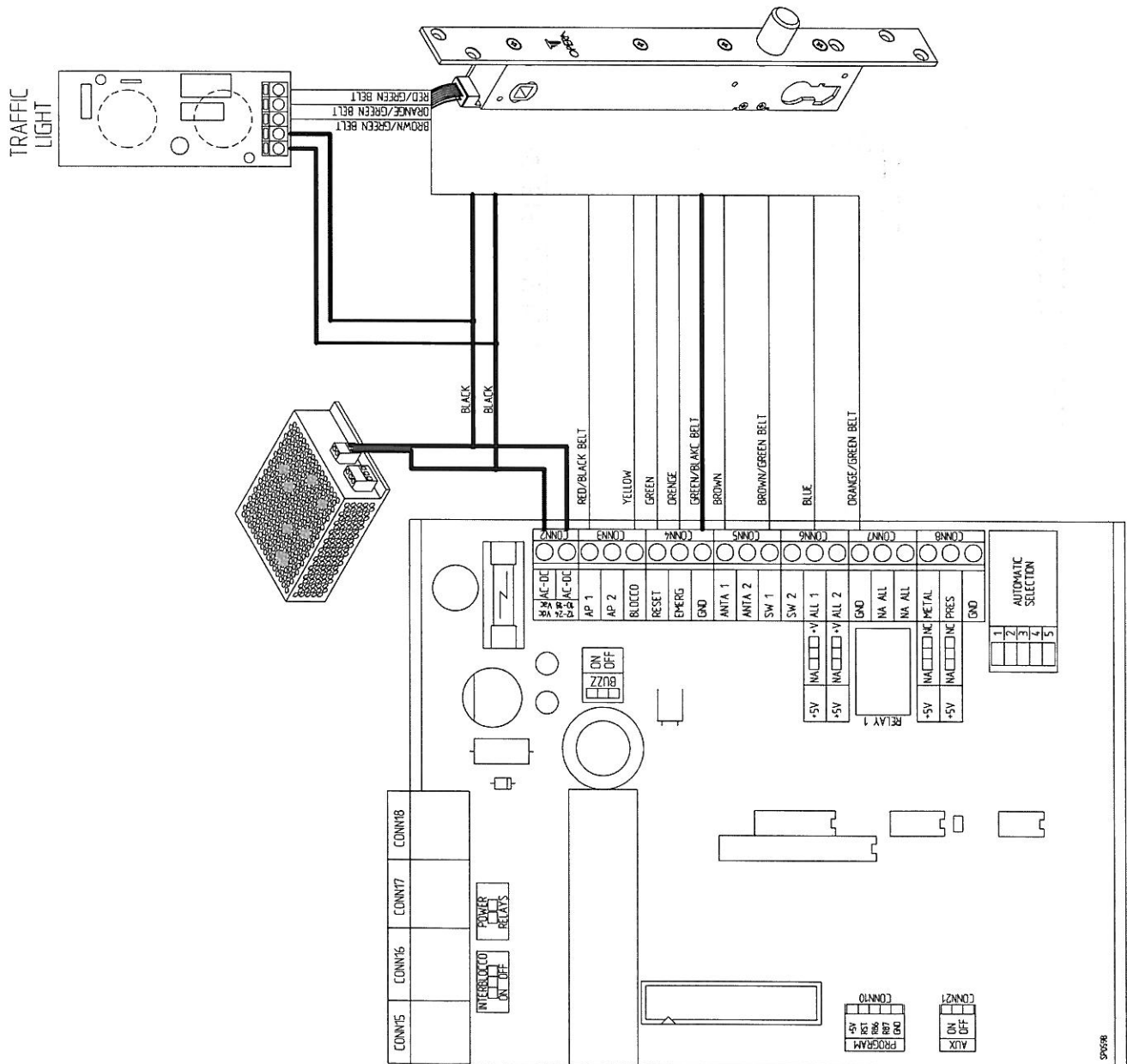
Input ←	Output →
AC-DC Consolle power supply Voltage : 12/24 Vdc – 10/18 Vac	AP 1 Opening contact for lock 1. Pushing on the Opening button on the console control panel, close the contact between AP1 e GND
DOOR 1 Contact N.O. for the door 1 signal with red/green led Red closed, Green opened	AP 2 Opening contact for lock 2. Pushing on the Opening button on the console control panel, close the contact between AP2 e GND
DOOR 2 Contact N.O. for the door 1 signal with red/green led Red closed, Green opened	BLOCK N.O./N.C. contact for the block of the functions of lock 1 and 2. Pushing on the Block button on the console control panel, close or open the contact between Blocco and GND.
SW1 Contact N.O. for the bolt 1 signal Red closed, Green opened	RESET Reset contact for locks 1 and 2 . Pushing on the Reset button on the console control panel, close or open the contact between Reset and GND.
SW2 Contact N.O. for the bolt 2 signal Red closed, Green opened	EMERG. Emergency contact for lock 1 and 2 Turning the Key in EMERG , on the console close the contact between Emergency and GND
ALARM 1 Alarm 1 contact It is active when the lock 1 is in alarm for Emergency, Prolonged door opening, Breakdown, Simultaneous opening of 2 or more doors if connected in interlock configuration.	GND General ground
ALARM 2 Alarm 2 contact It is active when the lock 1 is in alarm for Emergency, Prolonged door opening, Breakdown, Simultaneous opening of 2 or more doors if connected in interlock configuration.	NA ALL. N.O. alarm contact that is active during any consolle alarm conditions
METAL Metal-Detector alarm contact The alarm could be activate by N.O. contact from the Metal Detector. The alarm active the red led and the acoustic signal activating at the same time the block function . To Esc from the alarm, press the Reset button.	
PRES Presence person contact active in the box between door 1 and door 2. The input could be activated by N.O. or N.C. contact (selectable by jumper). This contact allows to detect a person inside the box just to open automatically the next door in the Automatic function.	

Two doors consolle - Front panel



- 1- **Key selector ON / OFF** (not in use)
- 2- **Key selector Manual / Automatic / Emergency** to select if operate in Manual by push buttons on the consolle, Automatic or Emergency for the doors immediate opening , also if connected in interlocking system.
- 3- Green Led to signal the Automatic function
- 4- Red Led to signal the Emergency function
- 5- Red Led to signal the Metal-Detector alarm
- 6- Red Led to signal the general alarm
- 7- Push button to activate the block function
- 8- Red Led to signal the Block function
- 9- Push button to activate the Reset function
- 10- Red Led to signal the Alarm/Reset
- 11- Red Led to signal power supply (fixed light) / Low battery (flashing light)
- 12- Red Led to signal Alarm door 1
- 13- Red Led to signal door 1 closed
- 14- Green Led to signal door 1 opened
- 15- Red/Green Led to signal lock 1 closed or open
- 16- Push button to open door 1
- 17- Red Led to signal person presence into the box
- 18- Red Led to signal Alarm door 2
- 19- Red Led to signal door 2 closed
- 20- Green Led to signal door 2 opened
- 21- Red/Green Led to signal lock 2 opened or closed
- 22- Push button to open door 2

CONNECTION DIAGRAM WITH SOLENOID BOLT SERIE 248



SECOND DOOR

