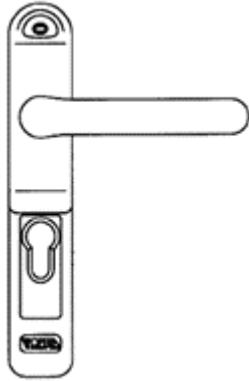


Electric handle OUVERTURE



The electric handle serves to electrify an emergency fire door without the need for drilling additional holes, thus leaving the certification of the door unchanged.

- **C/C distance between cylinder and handle: 72, 92 mm**
- **Handle frame: 9 mm (8 mm on request)**
- **Sound to indicate handle engagement (Version 40801 and 40601 only)**
- **Power supply 12/24 Vac/dc**
- **Current absorption: 250 mA**

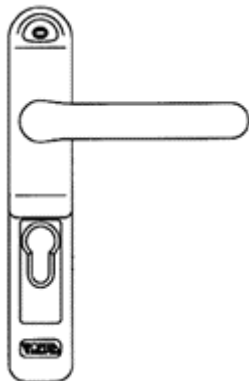


Art. 40800

- **Fail secure**
- **No relocking time delay**
- **Provided with 3 cylinder plates compatible with the lock c/c distance (72 or 92)**

Art. 40801

- **Fail secure**
- **With relocking time delay**
- **Provided with 3 cylinder plates compatible with the lock c/c distance (72 or 92)**

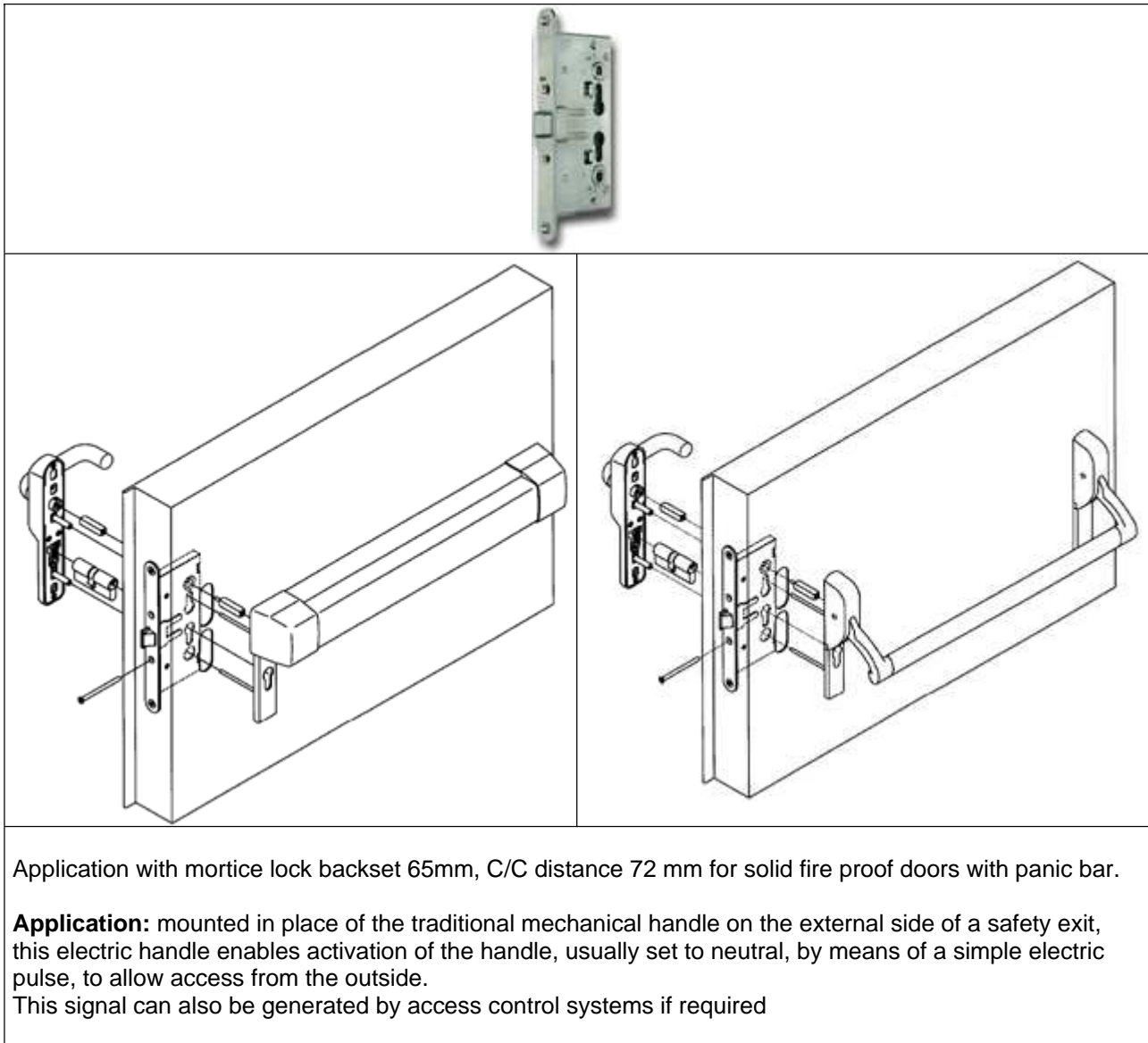


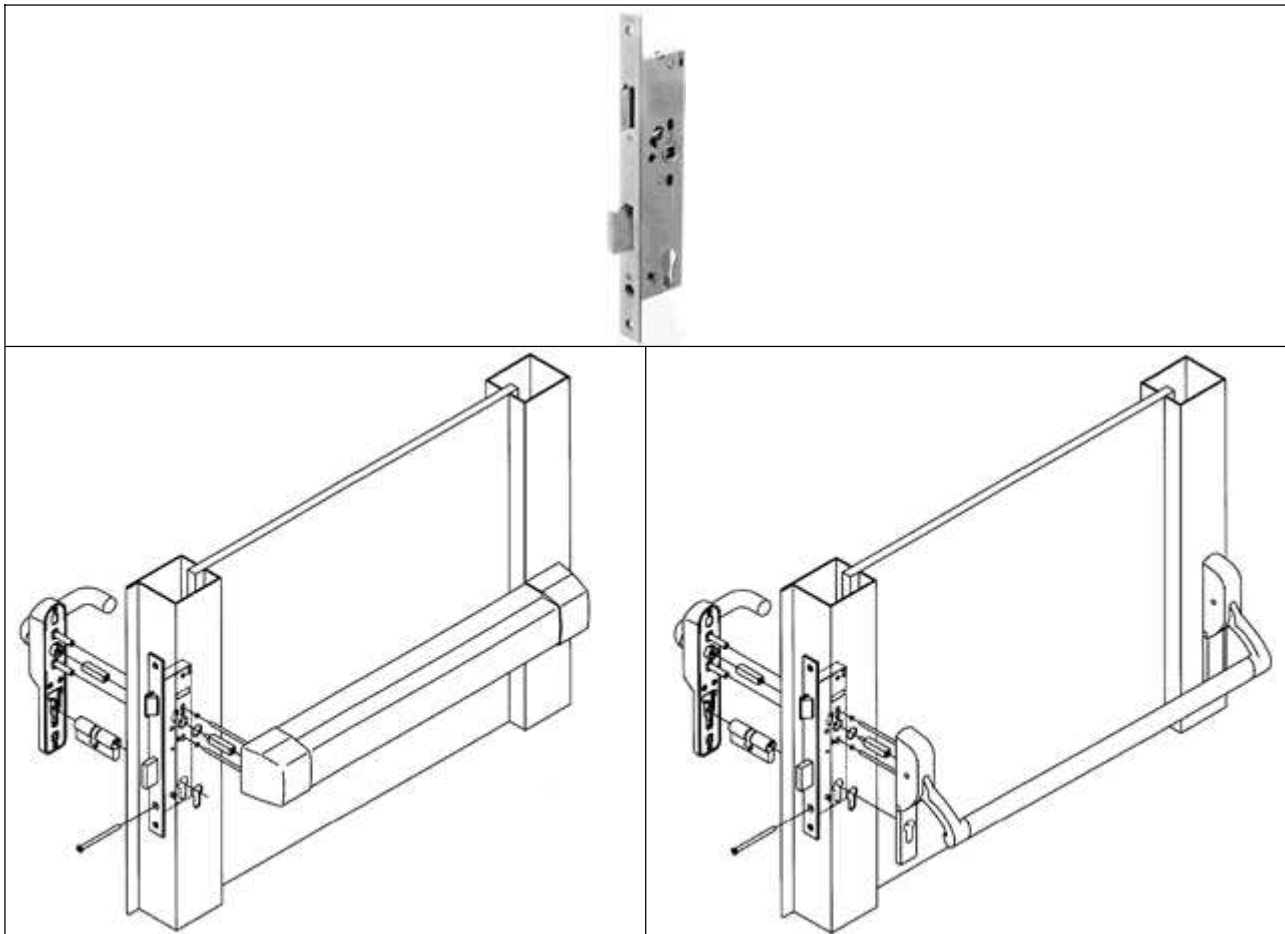
Art. 40600

- **Fail safe**
- **No relocking time delay**
- **Provided with 3 cylinder plates compatible with the lock c/c distance (72 or 92)**

Art. 40601

- **Fail secure**
- **With relocking time delay**
- **Provided with 3 cylinder plates compatible with the lock c/c distance (72 or 92)**





Application with mortice lock for glazed fire doors C/C distance 92 mm and panic bar.

Application: mounted in place of the traditional mechanical handle on the external side of a safety exit, this electric handle enables activation of the handle, usually set to neutral, by means of a simple electric pulse, to allow access from the outside.

This signal can also be generated by access control systems if required