

QUADRA



	Art.		Euro
	20610 20611	<p>Micro security fail unlocked solenoid lock for mortice fixing</p> <p>Open without power Striking plate in stainless steel (mm) 80 x 25 x 3 Armature plate in stainless steel (mm) 80 x 25 x 3 with magnet adjustable in extension (only Art. 20610) Lock body dimensions (mm) 60 x 20 x 20 Deadbolt diameter (mm) 8, extension 8 Operating voltage : 12 Vdc (on request 24 Vdc) Absorbed current : 400 mA @ 12 V / 200 mA @ 24 V Current insertion: 100% Mode of operation: horizontal (vertical on request) Deadbolt position micro-switch C./N.O./N.C</p> <p>With N.O. magnetic door position sensor * Without magnetic sensor * For connection to central control unit 54610 or 54710</p>	
	20613	<p>Micro security fail unlocked solenoid lock for mortice fixing</p> <p>Open without power Lock body dimensions (mm) 60 x 20 x 20 Deadbolt diameter (mm) 8, extension 11 mm 8 mm. stroke) Operating voltage : 12 Vdc (on request 24 Vdc) Absorbed current : 400 mA @ 12 V / 200 mA @ 24 V Current insertion: 100% Mode of operation: horizontal (vertical on request) Deadbolt position micro-switch C./N.O./N.C</p>	
	20810 20811	<p>Micro security solenoid lock for mortice fixing</p> <p>Closed without power Striking plate in stainless steel (mm) 80 x 25 x 3 Armature plate in stainless steel (mm) 80 x 25 x 3 with magnet adjustable in extension (only Art. 20810) Lock body dimensions (mm) 60 x 20 x 20 Deadbolt diameter (mm) 8, extension 8 Operating voltage : 12 Vdc (on request 24 Vdc) Absorbed current : 400 mA @ 12 V / 200 mA @ 24 V Current insertion: 100% Mode of operation: horizontal (vertical on request) Deadbolt position micro-switch C./N.O./N.C</p> <p>With N.O. magnetic door position sensor * Without magnetic sensor * For connection to central control unit 54610 or 54710</p>	
	20813	<p>Micro security solenoid lock for mortice fixing</p> <p>Closed without power Lock body dimensions (mm) 60 x 20 x 20 Deadbolt diameter (mm) 8, extension 11 mm 8 mm. stroke) Operating voltage : 12 Vdc (on request 24 Vdc) Absorbed current : 400 mA @ 12 V / 200 mA @ 24 V Current insertion: 100% Mode of operation: horizontal (vertical on request) Deadbolt position micro-switch C./N.O./N.C</p>	

Note: The **Quadra Micro** series solenoid lock, due to the high operating temperatures, are not suitable for mounting on wood or PVC doors



Art.

Euro



20910
20911

Micro security solenoid lock for mortice fixing with latch

Closed without power
Striking plate in stainless steel (mm) 80 x 25 x 3
Armature plate in stainless steel (mm) 80 x 25 x 3 with magnet adjustable in extension (only Art. 20910)
Lock body dimensions (mm) 60 x 20 x 20
Latch diameter (mm) 8, extension 8
Operating voltage : 12 Vdc (on request 24 Vdc)
Absorbed current : 400 mA @ 12 V / 200 mA @ 24 V
Current insertion: 100%
Mode of operation: horizontal (vertical on request)
Deadbolt position micro-switch C./N.O./N.C

With N.O. magnetic door position sensor
Without magnetic sensor



20913

Micro security solenoid lock for mortice fixing with latch

Closed without power
Lock body dimensions (mm) 60 x 20 x 20
Latch diameter (mm) 8, extension 12 mm 8 mm. stroke)
Operating voltage : 12 Vdc (on request 24 Vdc)
Absorbed current : 400 mA @ 12 V / 200 mA @ 24 V
Current insertion: 100%
Mode of operation: horizontal (vertical on request)
Deadbolt position micro-switch C./N.O./N.C



20910A
20911A

Micro security solenoid lock for mortice fixing with fail unlocked latch

Open without power
Striking plate in stainless steel (mm) 80 x 25 x 3
Armature plate in stainless steel (mm) 80 x 25 x 3 with magnet adjustable in extension (only Art. 20910A)
Lock body dimensions (mm) 60 x 20 x 20
Latch diameter (mm) 8, extension 8
Operating voltage : 12 Vdc (on request 24 Vdc)
Absorbed current : 400 mA @ 12 V / 200 mA @ 24 V
Current insertion: 100%
Mode of operation: horizontal (vertical on request)
Deadbolt position micro-switch C./N.O./N.C

With N.O. magnetic door position sensor
Without magnetic sensor



20913A

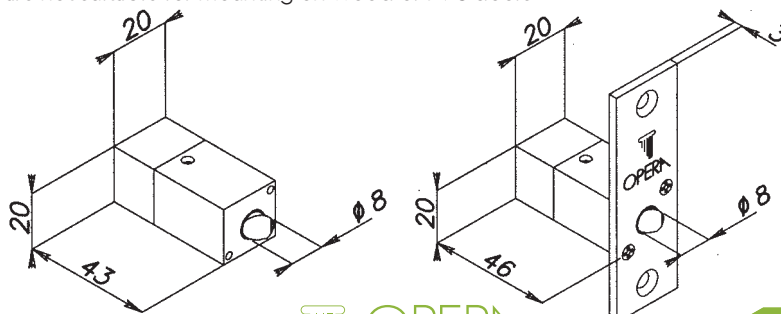
Micro security solenoid lock for mortice fixing with fail unlocked latch

Open without power
Lock body dimensions (mm) 60 x 20 x 20
Latch diameter (mm) 8, extension 12 mm 8 mm. stroke)
Operating voltage : 12 Vdc (on request 24 Vdc)
Absorbed current : 400 mA @ 12 V / 200 mA @ 24 V
Current insertion: 100%
Mode of operation: horizontal (vertical on request)
Deadbolt position micro-switch C./N.O./N.C

Note: The Quadra Micro series solenoid lock, due to the high operating temperatures, are not suitable for mounting on wood or PVC doors





Art.		Euro
 <p data-bbox="411 546 536 613">20610XS 20611XS</p>	<p data-bbox="580 197 1216 264">Micro security fail unlocked solenoid lock for mortice fixing</p> <p data-bbox="580 273 1216 613">Open without power Striking plate in stainless steel (mm) 80 x 25 x 3 Armature plate in stainless steel (mm) 80 x 25 x 3 with magnet adjustable in extension (only Art. 20610XS) Lock body dimensions (mm) 43 x 20 x 20 Deadbolt diameter (mm) 8, extension 8 Operating voltage : 12 Vdc (on request 24 Vdc) Absorbed current : 400 mA @ 12 V / 200 mA @ 24 V Current insertion: 100% Mode of operation: horizontal (vertical on request) With N.O. magnetic door position sensor Without magnetic sensor</p>	
 <p data-bbox="411 806 536 837">20613XS</p> <p data-bbox="411 931 536 963">Art.+AM</p>	<p data-bbox="580 663 1216 730">Micro security fail unlocked solenoid lock for mortice fixing</p> <p data-bbox="580 739 1216 963">Open without power Lock body dimensions (mm) 43 x 20 x 20 Deadbolt diameter (mm) 8, extension 11 mm 8 mm. stroke) Operating voltage : 12 Vdc (on request 24 Vdc) Absorbed current : 400 mA @ 12 V / 200 mA @ 24 V Current insertion: 100% Mode of operation: horizontal (vertical on request) On request: mechanical release with knob (see page 71)</p>	
 <p data-bbox="411 1344 536 1411">20810XS 20811XS</p>	<p data-bbox="580 1025 1216 1093">Micro security solenoid lock for mortice fixing</p> <p data-bbox="580 1102 1216 1415">Closed without power Striking plate in stainless steel (mm) 80 x 25 x 3 Armature plate in stainless steel (mm) 80 x 25 x 3 with magnet adjustable in extension (only Art. 20810XS) Lock body dimensions (mm) 43 x 20 x 20 Deadbolt diameter (mm) 8, extension 8 Operating voltage : 12 Vdc (on request 24 Vdc) Absorbed current : 400 mA @ 12 V / 200 mA @ 24 V Current insertion: 100% Mode of operation: horizontal (vertical on request) With N.O. magnetic door position sensor Without magnetic sensor</p>	
 <p data-bbox="411 1576 536 1608">20813XS</p> <p data-bbox="411 1688 536 1720">Art.+AM</p>	<p data-bbox="580 1451 1216 1518">Micro security solenoid lock for mortice fixing</p> <p data-bbox="580 1527 1216 1729">Closed without power Lock body dimensions (mm) 43 x 20 x 20 Deadbolt diameter (mm) 8, extension 11 mm 8 mm. stroke) Operating voltage : 12 Vdc (on request 24 Vdc) Absorbed current : 400 mA @ 12 V / 200 mA @ 24 V Current insertion: 100% Mode of operation: horizontal (vertical on request) On request: mechanical release with knob (see page 71)</p>	

Note: The Quadra Micro series solenoid lock, due to the high operating temperatures, are not suitable for mounting on wood or PVC doors





	Art.		Euro
	<p>20910XS 20911XS</p>	<p>Micro security solenoid lock for mortice fixing with latch Closed without power Striking plate in stainless steel (mm) 80 x 25 x 3 Armature plate in stainless steel (mm) 80 x 25 x 3 with magnet adjustable in extension (only Art. 20910XS) Lock body dimensions (mm) 43 x 20 x 20 Latch diameter (mm) 8, extension 8 Operating voltage : 12 Vdc (on request 24 Vdc) Absorbed current : 400 mA @ 12 V / 200 mA @ 24 V Current insertion: 100% Mode of operation: horizontal (vertical on request) With N.O. magnetic door position sensor Without magnetic sensor</p>	
	<p>20913XS Art.+AM</p>	<p>Micro security solenoid lock for mortice fixing with latch Closed without power Lock body dimensions (mm) 43 x 20 x 20 Latch diameter (mm) 8, extension 11 mm 8 mm. stroke) Operating voltage : 12 Vdc (on request 24 Vdc) Absorbed current : 400 mA @ 12 V / 200 mA @ 24 V Current insertion: 100% Mode of operation: horizontal (vertical on request) On request: mechanical release with knob (see page 71)</p>	
	<p>20910XSA 20911XSA</p>	<p>Micro security solenoid lock for mortice fixing with fail unlocked latch Open without power Striking plate in stainless steel (mm) 80 x 25 x 3 Armature plate in stainless steel (mm) 80 x 25 x 3 with magnet adjustable in extension (only Art. 20910XSA) Lock body dimensions (mm) 43 x 20 x 20 Latch diameter (mm) 8, extension 8 Operating voltage : 12 Vdc (on request 24 Vdc) Absorbed current : 400 mA @ 12 V / 200 mA @ 24 V Current insertion: 100% Mode of operation: horizontal (vertical on request) With N.O. magnetic door position sensor Without magnetic sensor</p>	
	<p>20913XSA Art.+AM</p>	<p>Micro security solenoid lock for mortice fixing with fail unlocked latch Open without power Lock body dimensions (mm) 43 x 20 x 20 Latch diameter (mm) 8, extension 11 mm 8 mm. stroke) Operating voltage : 12 Vdc (on request 24 Vdc) Absorbed current : 400 mA @ 12 V / 200 mA @ 24 V Current insertion: 100% Mode of operation: horizontal (vertical on request) On request: mechanical release with knob (see page 71)</p>	

Note: The Quadra Micro series solenoid lock, due to the high operating temperatures, are not suitable for mounting on wood or PVC doors

Art.		Euro
 <p data-bbox="427 571 518 645">21610 21611</p>	<p data-bbox="582 197 1248 264">Security fail unlocked solenoid lock for mortice fixing</p> <p data-bbox="582 273 1225 571">Open without power Striking plate in stainless steel (mm) 100 x 40 x 3 Armature plate in stainless steel (mm) 100 x 40 x 3 with magnet adjustable in extension (only Art. 21610) Lock body dimensions (mm): 70 x 30 x 30 Deadbolt diameter (mm) 12, extension 18 mm. Operating voltage : 12/24 Vdc Absorbed current : 600 mA @ 12 V / 300 mA @ 24 V Current insertion: 100% Mode of operation: horizontal (vertical on request) Deadbolt position micro-switch C./N.O./N.C.</p> <p data-bbox="582 577 1018 604">With N.O. magnetic door position sensor *</p> <p data-bbox="582 611 837 638">Without magnetic sensor</p> <p data-bbox="582 645 1141 672">* For connection to central control unit 54610 or 54710</p>	
 <p data-bbox="427 891 518 918">21613</p> <p data-bbox="416 1037 529 1064">Art. +AM</p>	<p data-bbox="582 743 1248 810">Security fail unlocked solenoid lock for mortice fixing</p> <p data-bbox="582 819 1212 1030">Open without power Lock body dimensions (mm): 70 x 30 x 30 Deadbolt diameter (mm) 12, extension 21 mm 18 mm. stroke) Operating voltage : 12/24 Vdc Absorbed current : 600 mA @ 12 V / 300 mA @ 24 V Current insertion: 100% Mode of operation: horizontal (vertical on request) Deadbolt position micro-switch C./N.O./N.C.</p> <p data-bbox="582 1037 1165 1064">On request: mechanical release with knob (see page 71)</p>	
 <p data-bbox="427 1451 518 1525">21810 21811</p>	<p data-bbox="582 1108 1141 1142">Security solenoid lock for mortice fixing</p> <p data-bbox="582 1151 1225 1449">Closed without power Striking plate in stainless steel (mm) 100 x 40 x 3 Armature plate in stainless steel (mm) 100 x 40 x 3 with magnet adjustable in extension (only Art. 21810) Lock body dimensions (mm): 70 x 30 x 30 Deadbolt diameter (mm) 12, extension 18 mm. Operating voltage : 12/24 Vdc Absorbed current : 600 mA @ 12 V / 300 mA @ 24 V Current insertion: 100% Mode of operation: horizontal (vertical on request) Deadbolt position micro-switch C./N.O./N.C.</p> <p data-bbox="582 1456 1018 1482">With N.O. magnetic door position sensor *</p> <p data-bbox="582 1489 837 1516">Without magnetic sensor</p> <p data-bbox="582 1523 1141 1550">* For connection to central control unit 54610 or 54710</p>	
 <p data-bbox="427 1825 518 1852">21813</p> <p data-bbox="416 1948 529 1975">Art. +AM</p>	<p data-bbox="582 1684 1141 1718">Security solenoid lock for mortice fixing</p> <p data-bbox="582 1727 1212 1937">Closed without power Lock body dimensions (mm): 70 x 30 x 30 Deadbolt diameter (mm) 12, extension 21 mm 18 mm. stroke) Operating voltage : 12/24 Vdc Absorbed current : 600 mA @ 12 V / 300 mA @ 24 V Current insertion: 100% Mode of operation: horizontal (vertical on request) Deadbolt position micro-switch C./N.O./N.C.</p> <p data-bbox="582 1944 1173 1971">On request: mechanical release with knob (see page 71)</p>	

Note: The **Quadra** series solenoid lock, due to the high operating temperatures, are not suitable for mounting on wood or PVC doors

Art.		Euro
	<p>Security solenoid lock for mortice fixing with latch</p> <p>Closed without power Striking plate in stainless steel (mm) 100 x 40 x 3 Armature plate in stainless steel (mm) 100 x 40 x 3 with magnet adjustable in extension (only Art. 21910) Lock body dimensions (mm): 70 x 30 x 30 Latch diameter (mm) 12, extension 14 mm. Operating voltage : 12/24 Vdc Absorbed current : 600 mA @ 12 V / 300 mA @ 24 V Current insertion: 100% Mode of operation: horizontal (vertical on request) Monitored latch position micro-switch C./N.O./N.C</p> <p>21910 With N.O. magnetic door position sensor 21911 Without magnetic sensor</p>	
	<p>Security solenoid lock for mortice fixing with latch</p> <p>Closed without power Lock body dimensions (mm) 70 x 30 x 30 Latch diameter (mm) 12, extension 17 mm (14 mm. stroke) Operating voltage : 12/24 Vdc Absorbed current : 600 mA @ 12 V / 300 mA @ 24 V Current insertion: 100% Mode of operation: horizontal (vertical on request) Monitored latch position micro-switch C./N.O./N.C</p> <p>21913</p> <p>Art.+AM On request: mechanical release with knob (see below)</p>	

Note: The **Quadra** series solenoid lock, due to the high operating temperatures, are not suitable for mounting on wood or PVC doors

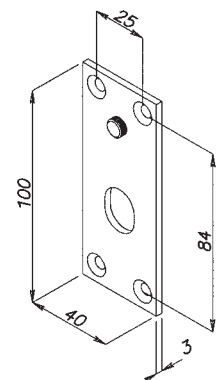
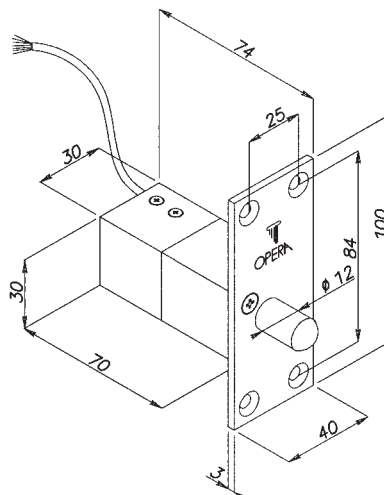
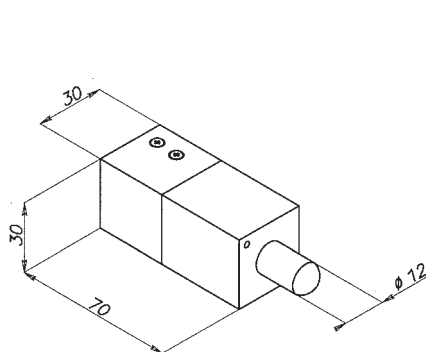
News

Quadra Micro with mechanical release AM



News

Quadra with mechanical release AM



Common characteristics:

Striking plate in stainless steel (mm) 150 x 40 x 3
 Armature plate in stainless steel (mm) 100 x 40 x 3 with adjustable magnet in extension (only item 21614, 21814, 21914)
 Lock body dimensions (mm) 75 H x 30 L x 70 D
 Backset (mm): 40
 Operating voltage : 12/24 Vdc
 Absorbed current : 600 mA @ 12 V / 300 mA @ 24 V
 Current insertion: 100%

Art.

Euro



21614
 21615
 Art. + S

Security fail unlocked solenoid lock for mortice fixing

Open without power
 Deadbolt diameter (mm) 12, extension 18 mm.
 Ready for European profile cylinder for key opening
 Mode of operation: horizontal (vertical on request)
 Deadbolt position micro-switch C./N.O./N.C

With N.O. magnetic door position sensor *
 Without magnetic sensor
 With cylinder with needle key
 * For connection to central control unit 54610 or 54710



21814
 21815
 Art. + S

Security solenoid lock for mortice fixing

Closed without power
 Deadbolt diameter (mm) 12, extension 18 mm.
 Ready for European profile cylinder for key opening
 Mode of operation: horizontal (vertical on request)
 Deadbolt position micro-switch C./N.O./N.C

With N.O. magnetic door position sensor *
 Without magnetic sensor
 With cylinder with needle key
 * For connection to central control unit 54610 or 54710



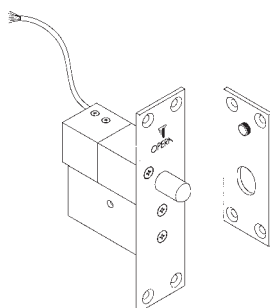
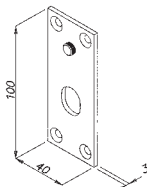
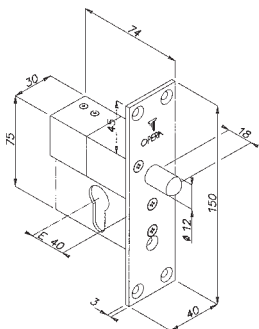
21914
 21915
 Art. + S

Security solenoid lock for mortice fixing with latch

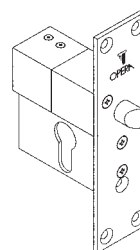
Closed without power
 Latch diameter (mm) 12, extension 14 mm.
 Ready for European profile cylinder for key opening
 Mode of operation: horizontal (vertical on request)
 Monitored latch position micro-switch C./N.O./N.C

With N.O. magnetic door position sensor
 Without magnetic sensor
 With cylinder with needle key
Note: indicate the lock hand (right or left hand)

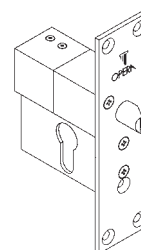
Note: The **Quadra** series solenoid lock, due to the high operating temperatures, are not suitable for mounting on wood or PVC doors



LF

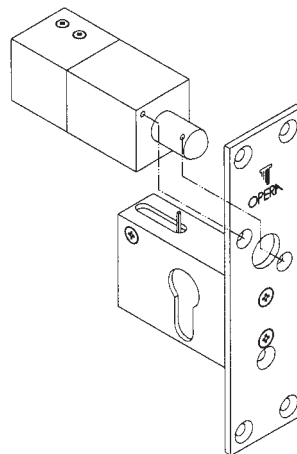


RG



S Version (cruciform key)

	Art.		Euro
	<p>02060 02160</p>	<p>Bracket for side mounting of the horizontal solenoid lock Pair of brackets for solenoid lock and Armature plate in black painted steel Dimensions of bracket for solenoid lock and Armature plate: Quadra Micro series (mm) 32 x 24 x 22 Quadra series (mm) 32 x 32 x 30 Quadra Micro series Quadra series Use: carter for surface mounting of the horizontal security solenoid lock Quadra and Quadra Micro series</p>	
	<p>02065 02165</p>	<p>Carter for horizontal solenoid lock Solenoid lock and Armature plate carter body in black painted steel Carter for solenoid lock dimensions: Quadra Micro series (mm) 74 x 26 x 26 Quadra series (mm) 93 x 35 x 35 Armature plate dimensions: Quadra Micro series (mm) 25 x 25 x 26 Quadra series (mm) 30 x 30 x 32 Quadra Micro series (already inclusive of Art. 02060) Quadra series (already inclusive of Art. 02160) Use: carter for surface mounting of the horizontal security solenoid lock Quadra and Quadra Micro series Packaging: solenoid lock carter, Armature plate carter, side mounting bracket and screws</p>	
	<p>02114 02114S</p>	<p>Striking plate with key opening mechanism Striking plate in stainless steel Striking plate dimensions (mm): 150 x 40 x 3 Body in anodized aluminium Dimensions of the body (mm): 70 x 45 x 20 Cylinder backset (mm): 40 For standard European profile cylinder With needle cylinder Use: accessory for use with horizontal security solenoid lock series 216, 218, 219.</p>	



Common characteristics:

Body in black colour ABS

Blocking pin in nickel plated steel with mounting base in black ABS

Resisting holding force: 80 Kg.

Fitting in side blocking system for drawers or doors

Use: electric cabinet locks for locking filing cabinets, fitted cupboards, drawers, post office boxes and glass cabinets. In the micro-switch version the door open/closed status can be controlled remotely.

Art.

Euro

Fail safe cabinet lock

Fail unlocked

Operating voltage : 12 Vdc – Absorbed current : 360 mA

Operating voltage : 24 Vdc – Absorbed current : 160 mA

22612

12 Vdc power

22612MIC

12 Vdc with C./N.O./N.C contact micro-switch

22624

24 Vdc power

22624MIC

24 Vdc with C./N.O./N.C contact micro-switch

**Fail secure cabinet lock**

Fail locked

Operating voltage : 12 Vdc – Absorbed current : 360 mA

Operating voltage : 24 Vdc – Absorbed current : 160 mA

22812

12 Vdc power

22812MIC

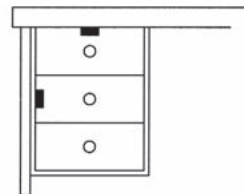
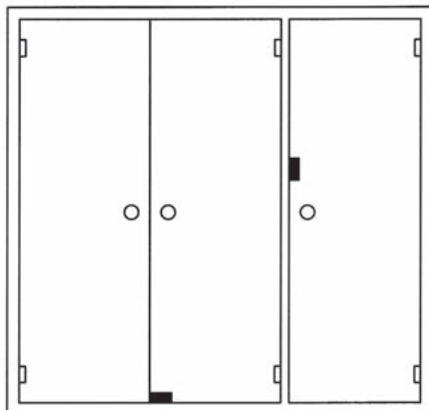
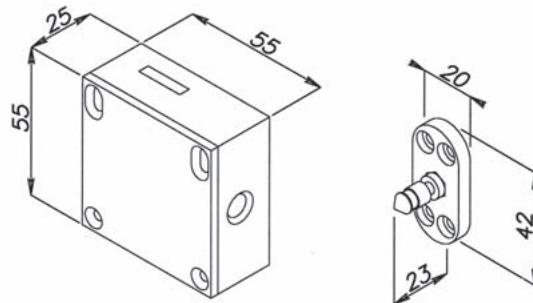
12 Vdc with C./N.O./N.C contact micro-switch

22824

24 Vdc power

22824MIC

24 Vdc with C./N.O./N.C contact micro-switch



Art.

Euro



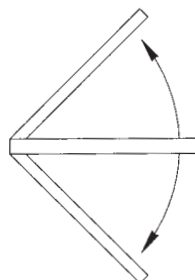
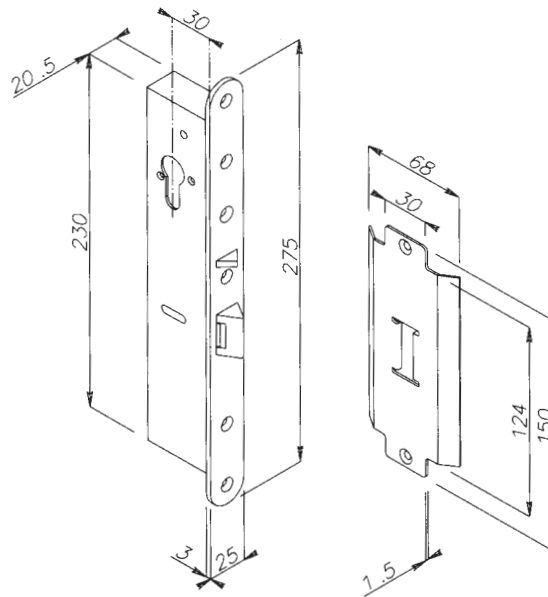
23000

Electromechanical lock for double action doors

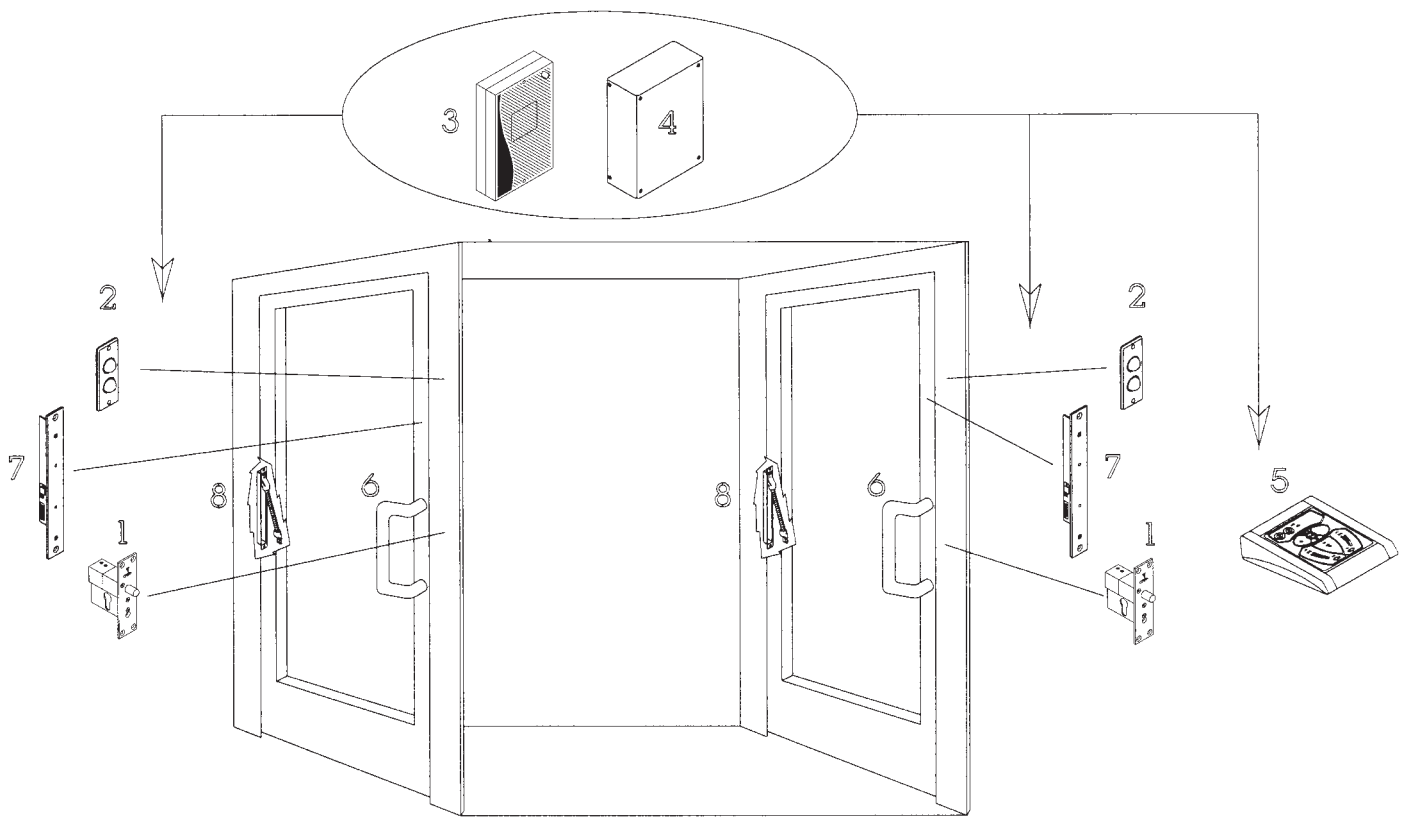
Mechanical opening with European type cylinder
 Striking plate in stainless steel (mm) 275 x 25 x 3
 Armature plate in steel (mm) 150 x 68 x 1.5
 Ambidextrous latch with mechanical block in closed position
 Striking plate device to block the latch in the closed position
 Latch dimensions (mm): 26 x 15.5 x extension 13
 Lock body dimensions (mm): 230 x 46.5 x 20.5
 Operating voltage : 12/24 Vdc
 Absorbed current : 280 mA @ 12 Vdc – 140 mA @ 24 Vdc
 Version: fail unlocked (closed with power) and security (open with power) selectable
 Backset (mm): 30
 Latch blocked/released status contact C. / N.O. / N.C.

Use: electromechanical lock ideal for operation on double action doors (opening in both directions). The door is reclosed automatically when it approaches by means of pressure on the special mechanical alignment device.

On Request: because the opening of the electromechanical lock is limited to the duration of the electric pulse (security version) or the lack of power (fail unlocked version) we recommend using the timer board item 51500 (page 28) to time release the lock (usable only if the electromechanical lock is powered with 12 Vdc). If powered with 24 Vdc other time release devices available on the market and not provided by us must be used.



Interlocking system with solenoid locks Quadra series

**Legenda**

1. Solenoid locks
2. Indicator lamps
3. Control units
4. Power supply
5. Desktop console
6. Sensitive bars
7. Sensitive cards
8. Lead covers