

ACCESS



Art.

Euro



Usable Terminals



55612



55612SS



55613



55613AL



55614

Modular Stand - Alone management electronics

For one door

Stand-Alone management electronics / serial for connection to 2 reader terminals (input/output) such as magnetic card readers, transponder readers or code keypads

ABS container for wall mounting

Container size (mm): 240 x 150 x 48

Maximum remote distance from the reader: up to 10 mt. (for greater distances signal amplifier is available Art. 55619)

Operating voltage: external 230 Vac/15 Vac - 20 VA transformer (included in the packaging)

Internal power supply with backup battery charger

12 Vac/12 Vdc - 1A power output for electromechanical locks

Compatible battery available on request 1.2 Ah - Art. 00112

C./N.O./N.C. relay output contact can be timed from 1 to 99 seconds for electromechanical lock activation

Push button opening input

N.O. input for door sensor

N.O. input for activated codes Block

Alarm can be activated via door sensor for forced entry (can be deactivated via software from menu)

Management of 2000 users with different cards or codes

User programming in solid state memory on Eeprom (minimum 10 year retention).

Important: the data in the memory can be copied and transferred upon any system expansion

Real Time Clock Circuit (RTC) for management of date and time

Backlit LCD 16 x 2 display for programming and viewing of the system operating status

Keypad with LCD on board (or remote) with 4 buttons for programming with functions of:

Up - Down - Program - Enter

Serial RS-232/485 line for connection to a PC or a serial printer (to download the events in the memory)

- Possibility of memorising encoded magnetic cards in pre-existing 2nd track such as credit cards, tax code cards or cards belonging to other access control systems on standard ISO 2 (if connected to a card reader Art. 55613 or 55613AL to be ordered separately). Reading of max first 10 characters

- Possibility of memorising TAG transponders in ISO2 emulation (if connected to transponder reader Art. 55614 to be ordered separately)

- Possibility of memorising PIN codes in ISO2 emulation (if connected to code keypad Art. 55612 or 55612SS to be ordered separately)

Can be connected to 1 or 2 keypads series 55612/55612SS or 1 or 2 card readers Art. 55613/55613AL or to 1 or 2 transponder readers Art. 55614

Features:

Programming of the menus from keypad

Programming access via Master code

Card / transponder / codes always activated programming

Programming for 3 distinct time slots for each user

Limitation of the users for 1 day of the week (selectable)

Layered card programming

User insertion with expiry date

User cancellation with possession of title

User cancellation without possession of title

General cancellation of the user list

Setting of current time

Setting of current date

Lock opening time selection

Anti Pass-Back Selection

Alarm setting selection

Reader block setting selection

User list

Direct printout of the last 200 events on PC via special software

55611

With programming keypad on board

55611B

Without Programming keypad (to be ordered separately Art. 55618)

Art.

Euro



56611

Modular stand-alone management electronics

Electronic circuit in white ABS container
 Container dimensions (mm): 111 x 72 x 29
 Operating voltage : 12 - 18 Vac/Vdc
 Absorbed current : 100 mA in stand-by / 130 mA with relay active
 Timed output contact from 0.5 to 25 seconds for control of lock opening
 Up to 500 magnetic strip or transponder cards or codes (made up of 1 to 10 digits) can be memorised
 Memorisation via card, transponder or activation code
 Cancellation via card, transponder or cancellation code (if in possession of the system manager) If a lost card must be cancelled, total cancellation must be utilised and subsequently the activated cards must be re-memorised
 Code cancellation: single (if in possession of card or code) or total
 Supply of 4 Master codes (if used with Art. 55612S or 55612SS or 4 cards (if used with Art. 55613 or 55613AL or 4 transponders (if used with Art. 55614) :
 1 programming
 1 single cancellation
 1 total cancellation
 1 time adjustment for relay activation
 Can be connected to 1 keypad series 55612 or 55612SS or 1 card reader Art. 55613 or 55613AL or to 1 transponder reader Art. 55614
 Input for indoor opening push buttons
 Relay with C./N.O./N.C contacts for opening of electromechanical locks

Use: stand-alone system for access control. Allows memorisation of user codes or cards managed directly by the user via activation and cancellation cards.

Easy installation and programming, can be utilised to activate an electro-mechanical lock or motorisation.

Usable Terminals



55612



55612SS



55613



55613AL



55614

	Art.		Euro
	55612 55612CR	Code keypad Container body in ABS, dimensions (mm): 129 x 46 x 30 Keypad with 10 numeric keys plus Enter button Membrane front in polycarbonate, dome shaped keys with touch effect Internal buzzer for key press indication Operating Voltage: from electronics of Art. 55611 and 56611 Two coloured red/green LED for indication of operating status Connection with the control unit: in TTL with ISO2 emulation Tamper contact (active on Art. 55611) Codes available comprised of 1 to 10 digits Container in dark grey ABS Container in ABS with matt chromium finish Packaging: 10 metres of flat connection cable between keypad and control unit	
	News 55612SS	Anti-vandal code keypad Front of body in stainless steel (mm) 94 x 73 x 4,5 (flush mount: 4.5 mm.) can be used with its carter for surface fixing Art. 05612 Backlit keypad with 10 numeric keys plus Enter button IP protection rating IP 65 for external operation Internal buzzer for key press indication Operating Voltage: from electronics of Art. 55611 and 56611 Red and green LEDs for indication of operating status Connection with the control unit: in TTL with ISO2 emulation Packaging: 10 metres of flat connection cable between keypad and control unit	
	55613	Magnetic card reader Swipe reader in black ABS Base in silver anodized aluminium (black on request) Dimensions (mm): 140 x 40 x 34 Operating Voltage: from electronics of Art. 55611 and 56611 Red and green LEDs for indication of operating status Connection with the control unit: in TTL ISO2 standard Packaging: 10 metres of flat connection cable between reader and control unit	
	55613AL	Anti-vandal magnetic card reader Swipe reader in ABS in silver anodized aluminium. Dimensions (mm): 68 x 29 x 30 Operating Voltage: from electronics of Art. 55611 and 56611 Red and green LEDs for indication of operating status Connection with the control unit: in TTL ISO2 standard Packaging: 10 metres of flat connection cable between reader and control unit	
	55614	Transponder card reader Container body in dark grey ABS with front in polycarbonate Dimensions (mm): 129 x 46 x 30 Operating Voltage: from electronics of Art. 55611 and 56611 Transponder reader distance: 30 mm. (Art. 55616T and 55616W) - 100 mm. (Art. 55616) Two coloured red/green LED for indication of operating status Connection with the control unit: in TTL with ISO2 emulation The transponder is based on the TAG format card operativity Packaging: 10 metres of flat connection cable between reader and control unit	
	55615	Magnetic strip card Card for use with encoded user in 2nd track ISO2 standard For use with card reader Art. 55613 and 55613AL 300 OE magnetic strip OPERA silk screen in four colours Dimensions (mm): 86 x 54 x 0.8	
	55616 55616T 55616W	Transponder Transponder for encoded user use, based on operativity at 125 KHz For use with transponder Art. 55614 Card format in white colour, dimensions (mm): 86 x 54 x 0.8 Key fob format in grey colour, dimensions (mm): 40 x 31 x 4 Bracelet format in transparent plastic, dimensions (mm): 240 x 13	

Art.

Euro



55618

Programming keypad

Container in white ABS
 Container size (mm): 111 x 72 x 29
 Maximum remote distance from the reader: up to 6 mt.
 Operating Voltage: from electronics Art. 55611B
 Backlit LCD 16 x 2 display for programming and viewing of the system operating status
 4 button keypad for programming with the following functions:
 Up – Down – Program – Enter
 Connection with Art. 55611B via 6 pole connector plug

Use: this programming keypad is utilised with Multilink electronics Art. 55611B. Allows programming of one or more installed systems with one keypad.

Packaging: keypad and 6 mt. long plug cable



55619

Signal amplifier

Container in black ABS
 Container size (mm): 78 x 39 x 20
 Circuit dimensions (mm): 60 x 32 x 12
 Connection via 10 pole flat cable and screw connector

Use: the amplifier allows the card reader / transponder or the code keypad to be moved farther away from the Multilink and Minilink electronics by another 30 mt. Use of the signal amplifier is recommended when the electronics must be located at a distance farther than 10 mt. from the reader.



55619CP

Extension circuit from flat cable to multi-pole cable

Container in black ABS
 Container size (mm): 78 x 39 x 20
 Circuit dimensions (mm): 60 x 32 x 12
 Connection via 10 pole flat cable and screw connector

Use: the extension circuit allows the use of a multi-pole cable for connection between the reader and Multilink and Minilink electronics so that passage of the cable in conduits is facilitated.



05612

Carter for surface fixing for anti-vandal code keypad

Carter in silver colour painted aluminium
 Container size (mm): 104 x 80 x 30

Use: Carter for surface fixing for fixing the code keypad item 55612SS

Art.

Euro



55620

Mini portable event printer for Multilink

Thermal printer
 Dimensions (mm) : 146 x 88 x 65
 Operating voltage : 230 Vac (12 Vdc external power supply) .
 Option: 5 rechargeable AA size batteries
 Absorbed current : 510 mA average - 2A max peak
 ON/OFF switch
 Printer ON indicator LED
 Paper feed advancement button
 Manual paper cutter
 Prints 16 columns on common paper
 Paper length 58 mm. +/- 0.5 mm. (diameter 40 mm. max)
 Standard serial RS-232 interface

Use: printer for downloading events in memory for access control system Art. 55611

Packaging: supplied with mains Plug-in 230 Vac - 12 Vdc power supply



55622

Software Downloader for Multilink

Software program supplied on auto-installing CD-Rom for downloading events present in the Multilink memory directly to PC via serial RS-232 line. Upon activation of the event download request to PC, the software automatically creates a file naming it with the date and day on which the request was made.

If the connection between Multilink and the PC is then kept active, each passage is updated to the file and monitored on the PC
 On the monitor the following is shown:

- Date and time of the event
- User code
- Type of operation performed (entrance, exit, passage outside of time slot, etc...)

Use: program for downloading events in memory for access control system Art. 55611

Art.

Euro



Magnetic card reader

Insertion version

Manual insertion reader

Front in silver anodized aluminium with backlit LCD display indicating the operational status

Front plate dimensions (mm): 200 x 105 x 5

Internal dimensions (mm): 70 x 65 x 95 (max internal depth 100 mm.)

Operating voltage: from remote management control unit

Reading track: 2nd and 3rd ISO - ATM card, Visa Top Card, Prevident Card, Eurocard, Carta Sì, Mastercard, Eurocheque, Bancamerica, Bancoposta, American Express.

Self-Service facilities management electronics

Management electronics for microprocessor Automatic Teller Self-Service facilities

Management electronics in metal inspectable box for wall mounting.

Dimensions (mm): 340 x 270 x 120

Operating voltage : 29 Vac from external transformer (included)

230 Vac / 29 Vac power supply transformer

Internal 12 Vdc / 1.8 A switching power supply with control circuit and backup battery charger

Ready for 12 Vdc / 6.5 Ah battery

55640

Front panel with:

Mains LED

Low battery LED

Control unit and reader Reset button

3 position key switch for selection of System Active / Day / Out of Order

Operation times of door release, operation time and notification to the user, already programmed as standard

N.O. input for the restart time button

N.O. input for medical assistance sensor

N.O. input for ABL codes activation

Amplified output for connection of a loudspeaker

Internal management of voice messages

Management of alarm and medical assistance

Output contact for management of a telephone dialler

Lock opening contact: C./N.O./N.C relay (selectable) programmable 2 or 15 seconds

N.O. input for door sensor




Complete with management logic for security electric door strike series 346, 348.

Use: ATM card and credit card reader for opening of automatic teller facilities doors, complete with control unit for management of operation times and medical assistance alarms.

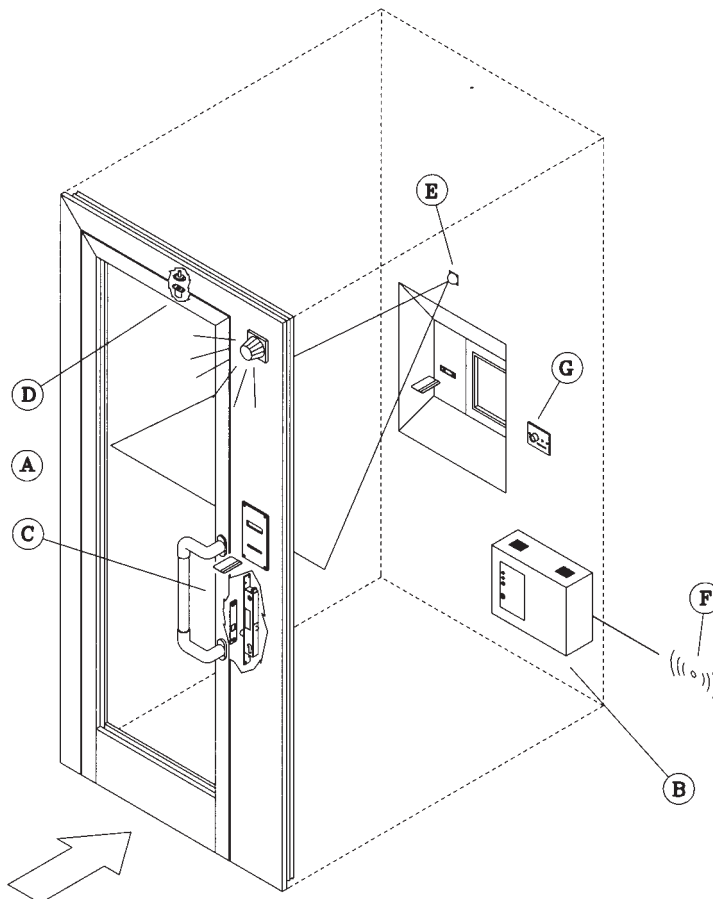
On request: identification of a specific bank code for opening via the card of the specific bank.

Special programme for management of one door in automatic motorised opening (i.e. sliding door)



	Art.		Euro
	05647	Restart time button Red button with N.O contact Black ABS front Dimensions (mm): 100 x 30 x 29 Red door open indicator LED The button is predisposed to be mounted in a Ticino 503 type box	
	05648	Loudspeaker Loudspeaker for surface fixing in white ABS box for connection to voice messages Dimensions (mm): 118 x 87 x 86 Power: 20 W / 4 ohm	
	05650	Overhang carter Overhang carter in black painted steel for outdoor application of reader Art. 55640 Dimensions (mm): 205 x 112 x 110	

- A) Card Reader
- B) Electronic unit
- C) Lock
- D) Magnetic sensor
- E) Infrared sensor
- F) Telephone call point
- G) Restart time button



Art.

Euro

News



55641
55641AL

55642
55642AL

Magnetic card reader

Swipe version

Swipe reader with Red and Green indicator LEDs for indication of operational status
Version in ABS dimensions (mm): 160 x 44 x 36 x 20 (internal depth)
Version in anodized aluminium, dimensions (mm): 68 x 29 x 30
Remote management electronics
Operating voltage : 12 Vdc
Current absorption: 50-100 mA
Lock opening contact: C./N.O./N.C relay (selectable) programmable 2 or 8 seconds
N.O. input for door sensor
N.O. contact for opening push button
Complete with management logic for security electric door strike series 346, 348

Reading track: 3rd ISO - ATM

Version with reader in black ABS

Version with anti-vandal reader in anodized aluminium

Reading track: 2nd and 3rd ISO - ATM card, Visa Top Card, Prevident Card, Eurocard, Carta Sì, Mastercard, Eurocheque, Bancamericard, Bancoposta, American Express

Version with reader in black ABS

Version with anti-vandal reader in anodized aluminium

Use: ATM card and credit card reader for door opening in automatic bank facilities.

On request: identification of a specific ABI code for opening with a card from the specific bank

Magnetic card reader

Insertion version

Manual insertion reader
Front in silver anodized aluminium Red and Green LEDs indicating the operational status
Front plate dimensions (mm): 100 x 80 x 5
Internal dimensions (mm): 70 x 65 x 95
Management electronics mounted on the reader
Operating voltage : 12 Vdc
Current absorption: 50-100 mA
Lock opening contact: C./N.O./N.C relay (selectable) programmable 2 or 8 seconds
N.O. contact for opening push button
N.O. input for door sensor
Complete with management logic for security electric door strike series 346, 348

55643
55644

Reading track: 3rd ISO - ATM

Reading track: 2nd and 3rd ISO - ATM card, Visa Top Card, Prevident Card, Eurocard, Carta Sì, Mastercard, Eurocheque, Bancamericard, Bancoposta, American Express

Use: ATM card and credit card reader for door opening in automatic bank facilities.

On request: identification of a specific ABI code for opening with a card from the specific bank



Art.

Euro

Anti-vandal code keypad

Container body in anodized aluminium

Dimensions (mm): 151 x 44 x 24

Keypad with backlit buttons

Operating voltage : 12 Vdc

Absorbed current : 30 mA in stand-by / 60 mA with relay active

Internal buzzer for key press indication

Remote management electronics for:

Management of the lock opening command (management of 2 doors with only one keypad)

Tamper contact with alarm activation

IP rating: IP65

Built in electronic circuit inside the keypad

Timed output contact from 1-99 seconds for control of lock opening

Up to 1,000 codes can be memorised

Up to 10 transponder cards at 125 KHz can be memorised

Programming of access with only PIN, only transponder or PIN +

transponder

Memorisation of separate codes for door 1 or door 2

Activation of tamper alarm

Code cancellation: single or total

Keypad with 10 numeric keys plus Enter button

Call push button can be activated

Block of keypad operation after insertion of three incorrect codes with activation of the alarm and timed auto-reset contact

Input for door sensor with N.C. contact (open with door closed)

Relay 1 with C./N.O./N.C contacts for opening of electromechanical locks

Relay 2 with C./N.O./N.C contacts selectable alternatively for:

- alarm signalling (burglary, invalid codes)
- door opening

57300

News



Art.

Euro

Touch Key Reader

Touch Key Reader body in stainless steel
 Front plate in anodized aluminium
 Front plate dimensions (mm): 105 x 40 x 5
 Electronic circuit in grey ABS container
 Container dimensions (mm) : 111 x 72 x 29
 Operating voltage : 9 Vac / 12 Vdc
 Absorbed current : 10 mA in stand-by / 40 mA with relay active
 Operating key **Dallas** (sold separately Art. 58015)
 Supply of 2 **Dallas** Master system keys of which
 1 "Green" programming key
 1 "Red" cancellation key
 Relay for door opening contact selectable in monostable or bistable mode
 Programmable users: 500
 Two colour red/green LED for indication of operating status

Anodized silver front plate
 Anodized black front plate

Use: the stand-alone system for access control **Touch Key** is based on the operativity of the **Dallas** key which, being unique and unrepeatable, provides the highest standards of security.
 Easy to install and program, can be used for electromechanical lock release, motorisation or, selecting the bistable relay, to arm or disarm an alarm system.
 Also ideal for use in applications where the reader must be exposed to weather conditions

58000
58000N**Touch Key Reader supplementary reader**

Touch Key Reader body in stainless steel
 Front plate dimensions (mm): 105 x 40 x 5
 Two colour red/green LED for indication of operating status

Use: supplementary indoor reader for **Touch Key Reader**

Front plate in silver anodized aluminium
 Front plate in black anodized aluminium

58013
58013N**Dallas Touch Key**

Touch Key body in chromium plated metal on black ABS support
Touch Key Dimensions (mm): 16 (diameter) x 5
 Dimensions of the ABS support (mm): 53 x 15
 Operating key **Dallas**
 Key fob in black plastic

Use: Operating key for access control **Touch Key**.

Note: each **Dallas** key is unique and unrepeatable and there are no copies. If the key is lost it must be cancelled from the reader memory and replaced with a new one.

58015

**Container for surface fixing for Touch Key Reader**

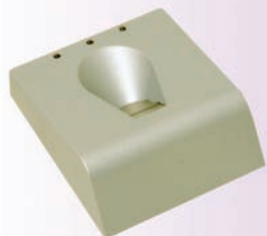
External dimensions (mm): 105 x 40 x 20

Box in silver anodized aluminium
 Box in black anodized aluminium

05501
05501N

Art.

Euro



58200BTH

Biometric

Reader body in silver colour ABS
 Reader dimensions (mm): 88 x 76 x 30
 Control unit in white ABS container
 Control unit dimensions (mm): 90 x 65 x 30
 Operating voltage : 12 Vdc (9 – 17 Vdc)
 Consumption: 100 mA in stand-by / 150 mA in operation
 Red, yellow and green LED on the reader for indication of operating status
 Signalling buzzer for reading confirmation

Features:

- fingerprint recording via Master print
- cancellation of digital fingerprint via Master print
- total cancellation of digital fingerprints

Type of sensor: linear thermal or swipe

Information size: 384 bytes

Verification time: 1 second

Image capture time: 1 second

Reading error: 0.001%

User capacity: 300 prints

Operating temperature: - 5 / + 70 °C

IP rating: IP67 (humidity 100%)

8 wire connection cable - 2.5 mt. length

C./N.O./N.C relay output for opening of electromechanical locks

Use: the **Biometric** series digital fingerprint reader allows management of door opening via thermal reading of the digital fingerprint at high quality in a secure and reliable manner.
 Suitable for external operations