

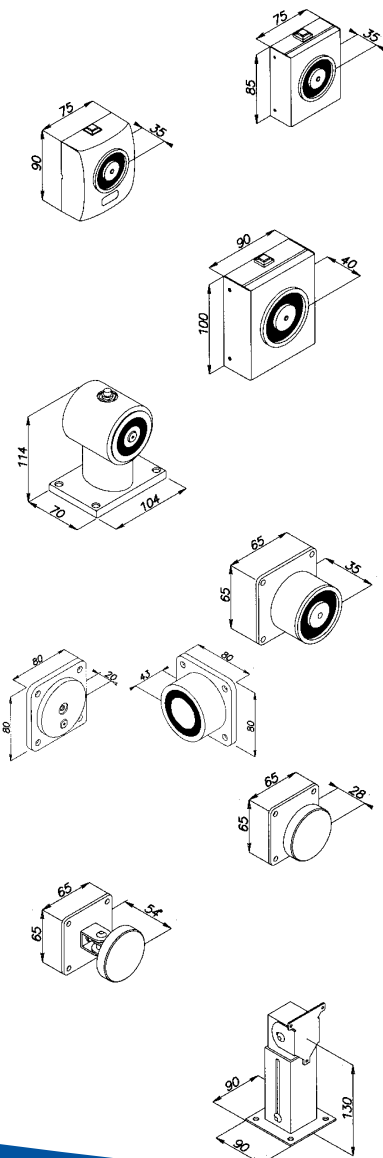
- Operating Voltage: 24Vdc or 240Vac
- Holding Force: 55kg or 140kg
- Tested and certified to EN 1155 and CE marked
- Surface mounts to standard BS wiring boxes
- Heavy duty all-steel construction (except 19000: ABS cover)
- Black painted finish, optional white, grey, or 304 stainless
- Electromagnet protected against residual magnetism



Applications

For holding open fire doors in public areas, where the doors are closed in the event of fire detection. Door release can be tested by pushing the optional release button.

Available Models



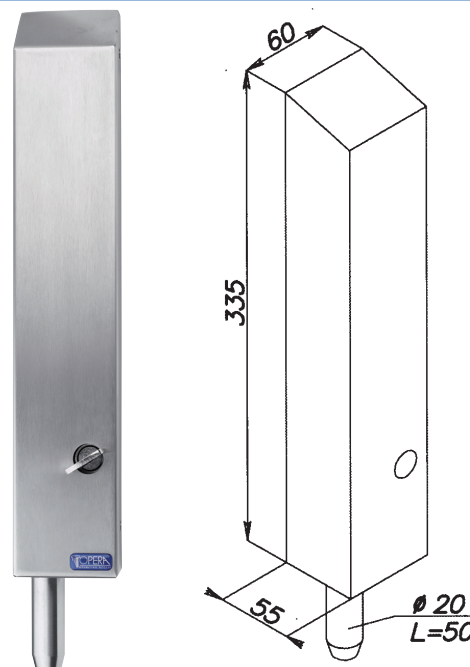
Code	Holding Force Kg.	Voltage	Current mA	Release button	Body/ Cover	Dimensions H x W x D mm.	Ø mm.
18000	55	24 Vdc	60	NO	Steel/Steel	85 x 75 x 35	50
18001	55	24 Vdc	60	YES	Steel/Steel	85 x 75 x 35	50
18000VHV	55	240 Vac	60	NO	Steel/Steel	85 x 75 x 35	50
18001VHV	55	240 Vac	60	YES	Steel/Steel	85 x 75 x 35	50
19000	55	24 Vdc	60	NO	Steel/ABS	90 x 75 x 35	50
19001	55	24 Vdc	60	YES	Steel/ABS	90 x 75 x 35	50
18100	140	24 Vdc	100	NO	Steel/Steel	100 x 90 x 40	65
18101	140	24 Vdc	100	YES	Steel/Steel	100 x 90 x 40	65
18005	55	24 Vdc	60	YES	Steel/Steel	114 x 104 x 70	50
01620	55	24 Vdc	60	NO	Steel/Steel	No base plate	50
01630	55	24 Vdc	60	NO	Steel/Steel	65 x 65 x 35	50
01820	140	24 Vdc	100	NO	Steel/Steel	No base plate	65
01830	140	24 Vdc	100	NO	Steel/Steel	65 x 65 x 40	65
17003	180	24 Vdc	150	NO	Steel/Steel	80 x 80 x 43	80
01800	Fixed Armature				Steel	65 x 65 x 28	55
01810						Steel	65 x 65 x 28
01805	Swinging Armature				Steel	65 x 65 x 54	55
01815						Steel	65 x 65 x 54
01740	Wall/Floor Bracket Adjustable				Steel	140/220x40x4	

Electric Deadbolt for Hinged or Sliding Gates

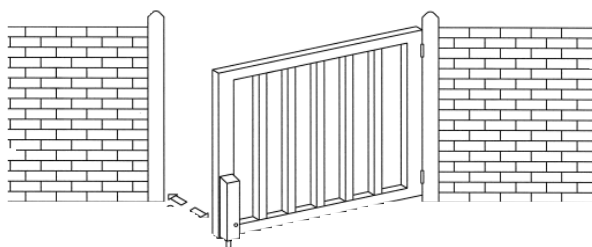
GATE LOCK

- Operating Voltage: 24Vdc, current 750mA (5A peak)
- Surface mounts with welding plate supplied
- Weatherproof all-metal construction with stainless steel or black painted galvanised steel cover
- Secure anti-jemmy 20mm \emptyset positive deadbolt

Euro-profile cylinder key override, one or both sides of the gate (cylinder not supplied)



Applications



Available Models

Code	Finish
28800	stainless steel 304 cover and weld plate
28800LC	black painted galv steel cover (no welding plate)
02288	stainless steel welding plate

Electromagnetic, stainless steel body, weatherproof

GATE LOCK

- Holding Force: 300kg surface mounted
- Operating Voltage: 12Vdc, current 350mA
- Dimensions: body 230x45x30 plate 185x45x14

Code	Voltage	Current	Finish
13400	12Vdc	350mA	stainless body



- Holding Force: 600kg surface mounted
- Operating Voltage: 12Vdc or 24Vdc (450mA / 230mA)
- Dimensions: body 204x64x41, plate 185x60x11
- With sensor

Code	Voltage	Current	Finish
14212R	12Vdc	450mA	stainless body
	24Vdc	230mA	stainless body

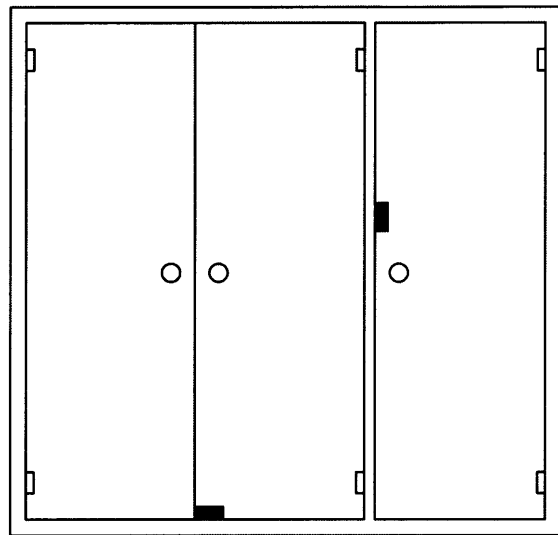
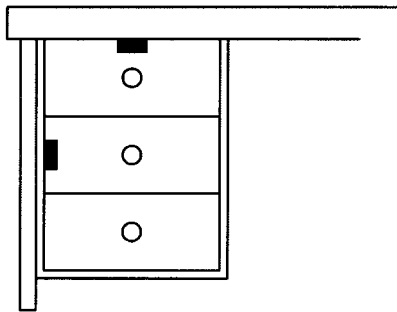


- Operating Voltage: 12Vdc (160mA) or 24Vdc (80mA)
- Holding Force: 80kg ABS plastic body
- Strike pin can engage in front or side of lock
- Available with or without microswitch C/N.O./N.C.
- Can be used in place of mechanical locks

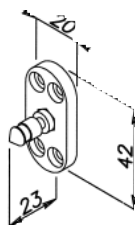
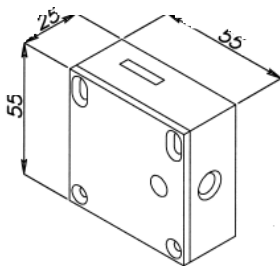


Applications

The compact locking ARCA series has been especially developed for locking furniture, filing cabinets, drawers, boxes and glass cabinets. Also used for secure equipment cabinets (eg computers).



Available Models

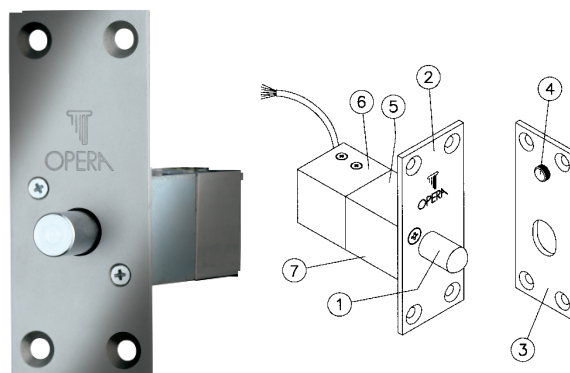


CODE	FAIL		VOLTAGE		MICROSWITCHES
	SAFE	SECURE	12 Vdc	24 Vdc	
22612	●		●		NO
22612MIC	●		●		YES
22624	●			●	NO
22624MIC	●			●	YES
22812		●	●		NO
22812MIC		●	●		YES
22824		●		●	NO
22824MIC		●		●	YES

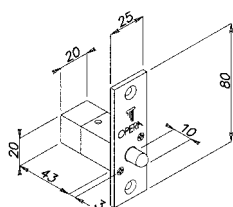
Solenoid Bolt for security drawers, doors & windows

QUADRA

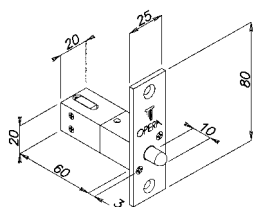
1. Anti-saw 8mm or 10mm Ø steel bolt, 8-17mm throw
2. Stainless steel 3mm forend 80/100/150 x 24/40
3. Stainless steel strike 80/100 x 25/40
4. Magnetic adjustable door contact
5. Operating Voltage: 12Vdc or 24Vdc Current 400/600 or 200/300 mA
6. Bolt position free voltage contact C/N.O./N.C.
7. Fits horizontally, optional vertical fitting available



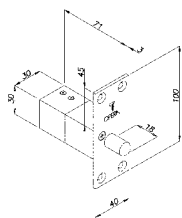
Quadra Micro XS



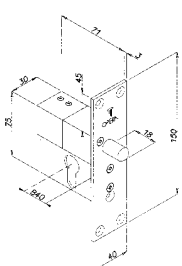
Quadra Micro



Quadra

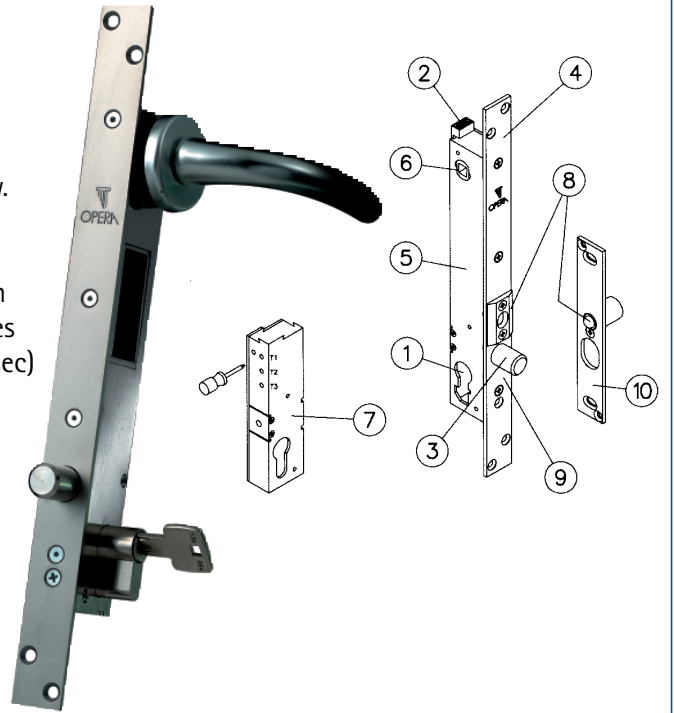


Quadra Over Ride



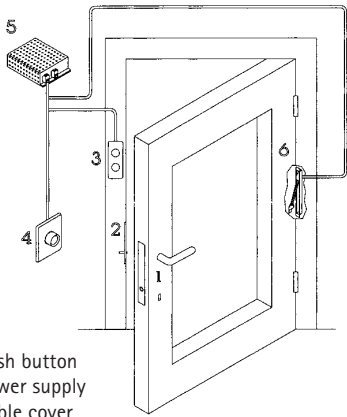
CODE	BOLT OR LATCH	FAIL		CURRENT (mA)		XS VERSION	DOOR POSITION SWITCH	3 mm. FRONT PLATE	
		SAFE	SECURE	12 Vdc	24 Vdc			FOREND	STRIKE
20610	Bolt Ø 8	●		400	200	●	YES	80 x 25	80 x 25
20611	Bolt Ø 8	●		400	200	●	NO	80 x 25	80 x 25
20613	Bolt Ø 8	●		400	200	●	NO	NONE	NONE
20810	Bolt Ø 8		●	400	200	●	YES	80 x 25	80 x 25
20811	Bolt Ø 8		●	400	200	●	NO	80 x 25	80 x 25
20813	Bolt Ø 8		●	400	200	●	NO	NONE	NONE
20910	Latch Ø 8		●	400	200	●	YES	80 x 25	80 x 25
20911	Latch Ø 8		●	400	200	●	NO	80 x 25	80 x 25
20913	Latch Ø 8		●	400	200	●	NO	NONE	NONE
21610	Bolt Ø 12	●		600	300		YES	100 x 40	100 x 40
21611	Bolt Ø 12	●		600	300		NO	100 x 40	100 x 40
21613	Bolt Ø 12	●		600	300		NO	NONE	NONE
21810	Bolt Ø 12		●	600	300		YES	100 x 40	100 x 40
21811	Bolt Ø 12		●	600	300		NO	100 x 40	100 x 40
21813	Bolt Ø 12		●	600	300		NO	NONE	NONE
21910	Latch Ø12		●	600	300		YES	100 x 40	100 x 40
21911	Latch Ø12		●	600	300		NO	100 x 40	100 x 40
21913	Latch Ø12		●	600	300		NO	NONE	NONE
21614	Bolt Ø 12	●		600	300		YES	150 x 40	100 x 40
21615	Bolt Ø 12	●		600	300		NO	150 x 40	100 x 40
21814	Bolt Ø 12		●	600	300		YES	150 x 40	100 x 40
21815	Bolt Ø 12		●	600	300		NO	150 x 40	100 x 40
21914	Latch Ø12		●	600	300		YES	150 x 40	100 x 40
21915	Latch Ø12		●	600	300		NO	150 x 40	100 x 40

1. Euro-profile key override, 25, 30, 35mm backsets
2. Plug-in connector, 12Vdc or 24Vdc, current 130mA (2.5A peak)
3. Anti-thrust anti-saw 16mm Ø steel bolt, 20mm throw. Optional non handed latchbolt version
4. Stainless steel forend, 25x320x3mm
5. Galv steel 2mm thick body, hardened steel mechanism
6. Optional lever handle operation, 8mm or 9mm spindles
7. Adjustable re-locking (T1 0-5sec), inactivity (T2 0-60sec) or blocked open alarm (T3 0-120sec)
8. Optional anti-rebound ball-catch and receiver
9. Door alignment sensor, with built-in N.O. contact
10. Stainless steel strike 25x150x3mm with bolt sensor



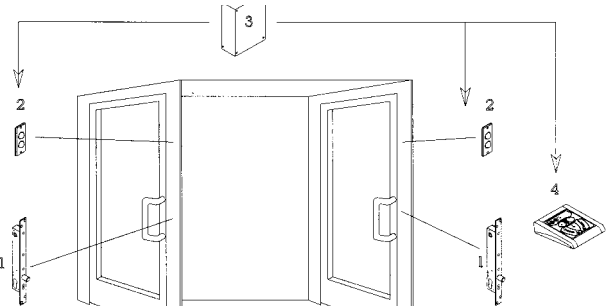
Applications

Single doors



- Key
1. Solenoid bolt
 2. Striking plate
 3. Indicator lamp
 4. Push button
 5. Power supply
 6. Cable cover

Interlocking lobby doors



- Key
1. Solenoid bolts
 2. Indicator lamps
 3. Power supply
 4. Console

AVAILABLE MODELS DEADBOLT VERSION			
FAIL SAFE		FAIL SECURE	
CODE	SPINDLE	CODE	SPINDLE
25600	None	25800	None
25608	8 mm.	25808	8 mm.
25609	9 mm.	25809	9 mm.

AVAILABLE MODELS LATCHBOLT VERSION			
FAIL SAFE		FAIL SECURE	
CODE	SPINDLE	CODE	SPINDLE
25910	None	25900	None
25918	8 mm.	25908	8 mm.
25919	9 mm.	25909	9 mm.

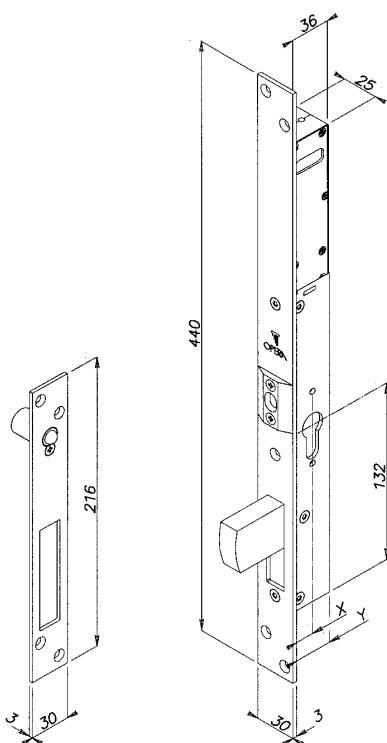
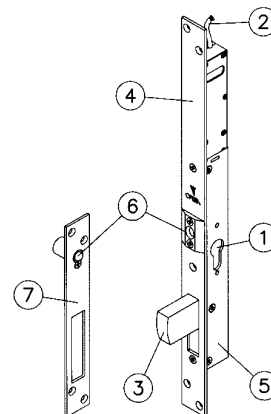
AVAILABLE MODELS DEADBOLT ONLY			
FAIL SAFE		FAIL SECURE	
CODE	SPINDLE	CODE	SPINDLE
24600	None	24800	None
24608	8 mm.	24808	8 mm.
24609	9 mm.	24809	9 mm.

CONTROL CONSOLES FOR 1 to 4 doors			
FAIL SAFE		FAIL SECURE	
CODE		CODE	
54611		54613	
54612		54614	

Narrow Style Motorised Deadbolt (or single or interlock lobby doors)

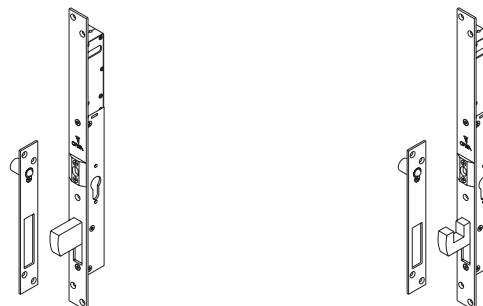
MAXIMA

1. Euro-profile key override, 20, 25, 30, 35, 40mm backsets
2. Plug-in connector, 12Vdc power, current 4A peak
3. Hardened steel swinging deadbolt 35x14, 40mm throw, optional 25511 hook deadbolt version
4. Stainless steel forend 30 x 440 x 3mm
5. Galv steel 2.5mm thick body, hardened steel mechanism
6. Adjustable anti-rebound ball-catch and receiver
7. Door position sensor with built-in N.O. contact
8. Stainless steel strike 30 x 216 x 3mm



BACKSET	X	Y
E. 20	17	33
E. 25	22	38
E. 30	27	43
E. 35	32	48
E. 50	47	63

Available Models



25500 DEADBOLT		25511 HOOKBOLT	
CODE	BACKSET mm.	CODE	BACKSET mm.
25500 20	20	25511 20	20
25500 25	25	25511 25	25
25500 30	30	25511 30	30
25500 35	35	25511 35	35
25500 50	50	25511 50	50

Electronic Control Unit 54250

- For single or interlock doors
- Power 12-14Vac / 65VA 12Vdc / 3A
- Current 100mA / 4A peak
- Size 240 x 150 x 48mm
- Controls door locking, status relays, metal detector

