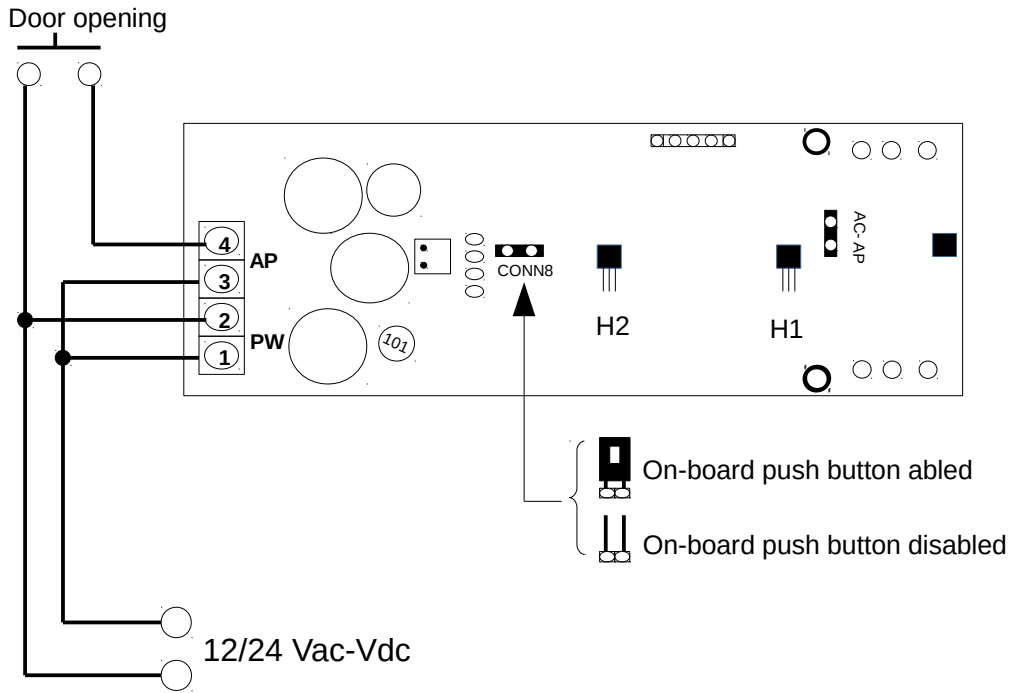
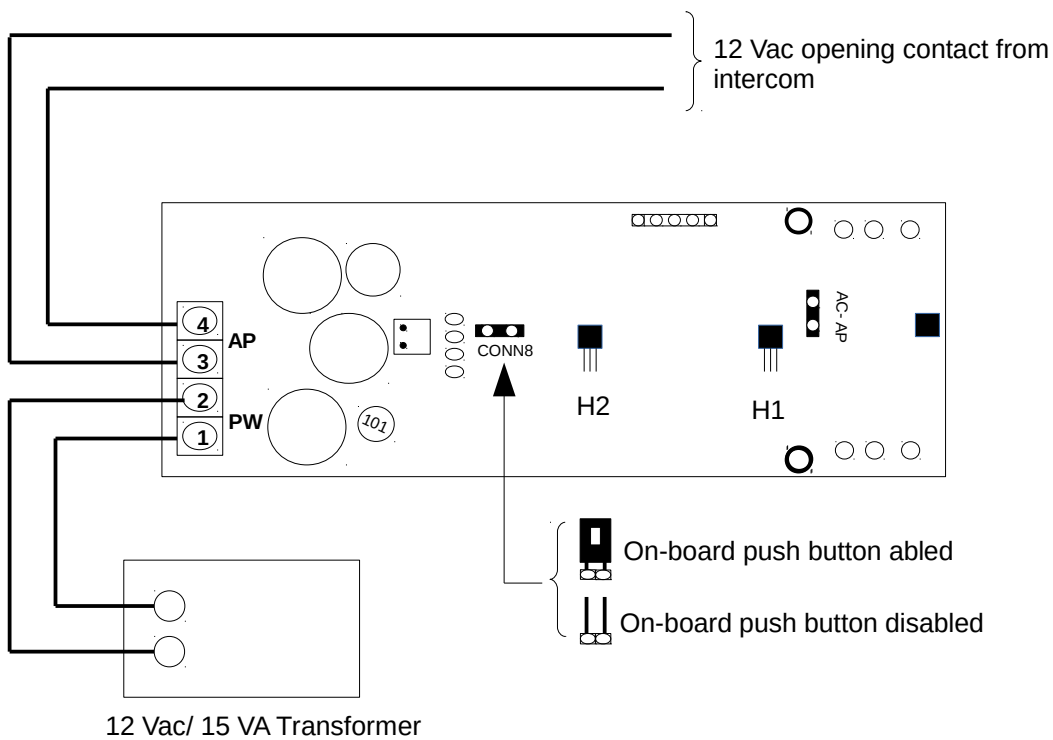


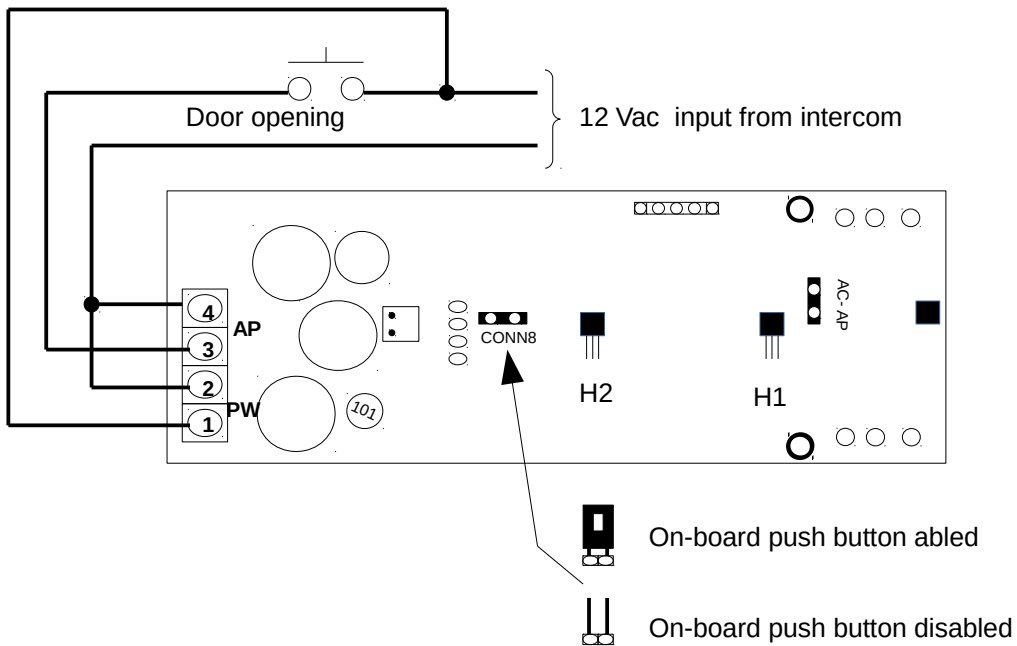
Direct Connection in Vac-Vdc



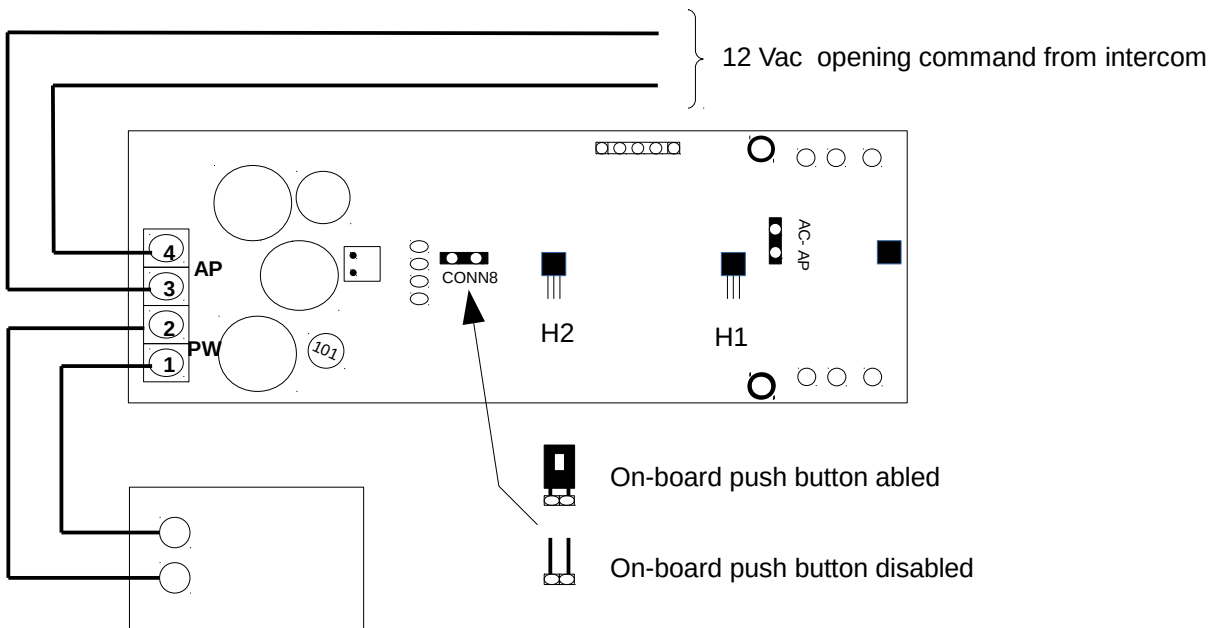
Direct Connection from transformer and opening contact from intercom



12Vac connection from intercom

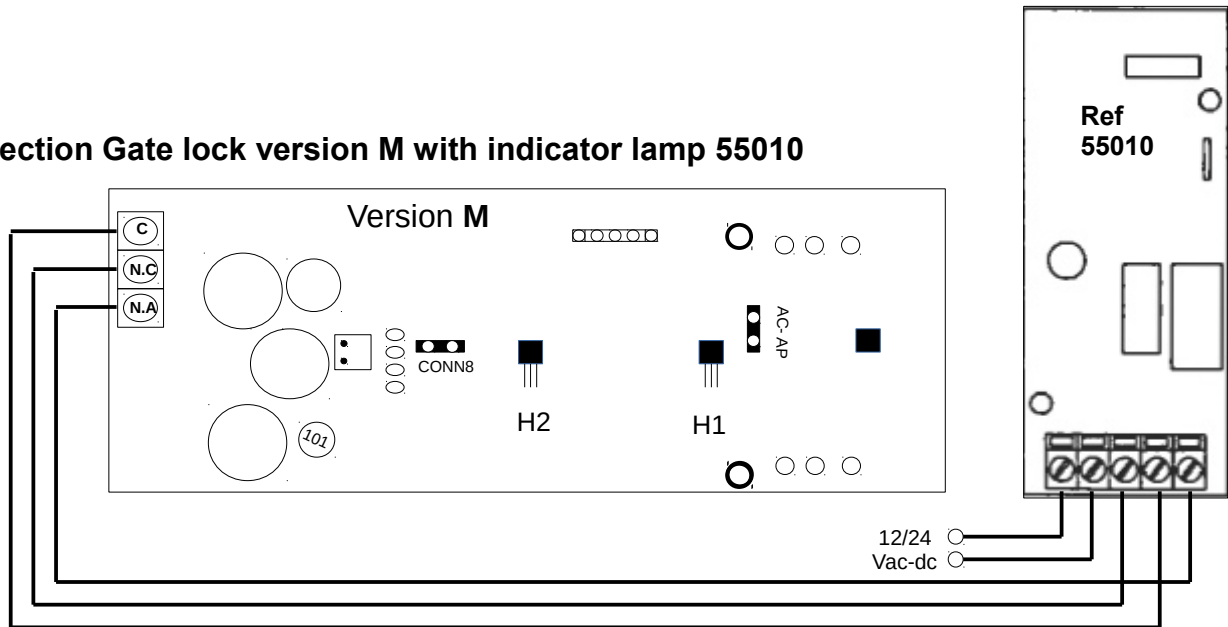


12 Vac connection with external transformer and opening command from intercom



External transformer 12 Vac 15 VA

Connection Gate lock version M with indicator lamp 55010



Connection Gate lock version M with indicator lamp 55030

